

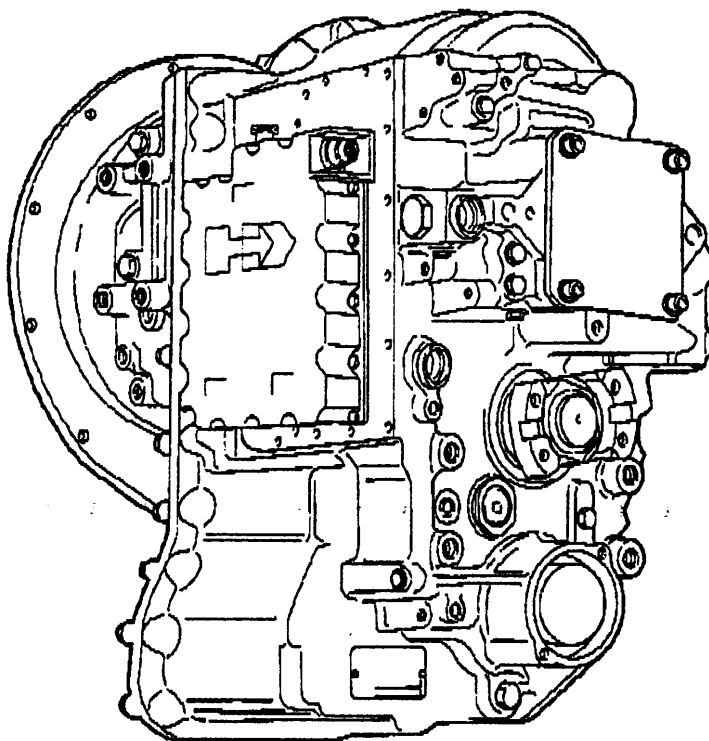
CLARK-HURTH
COMPONENTS

MODEL NO. 1111FT16000

PART NO. MT379

DATE 20-11-96

T16000

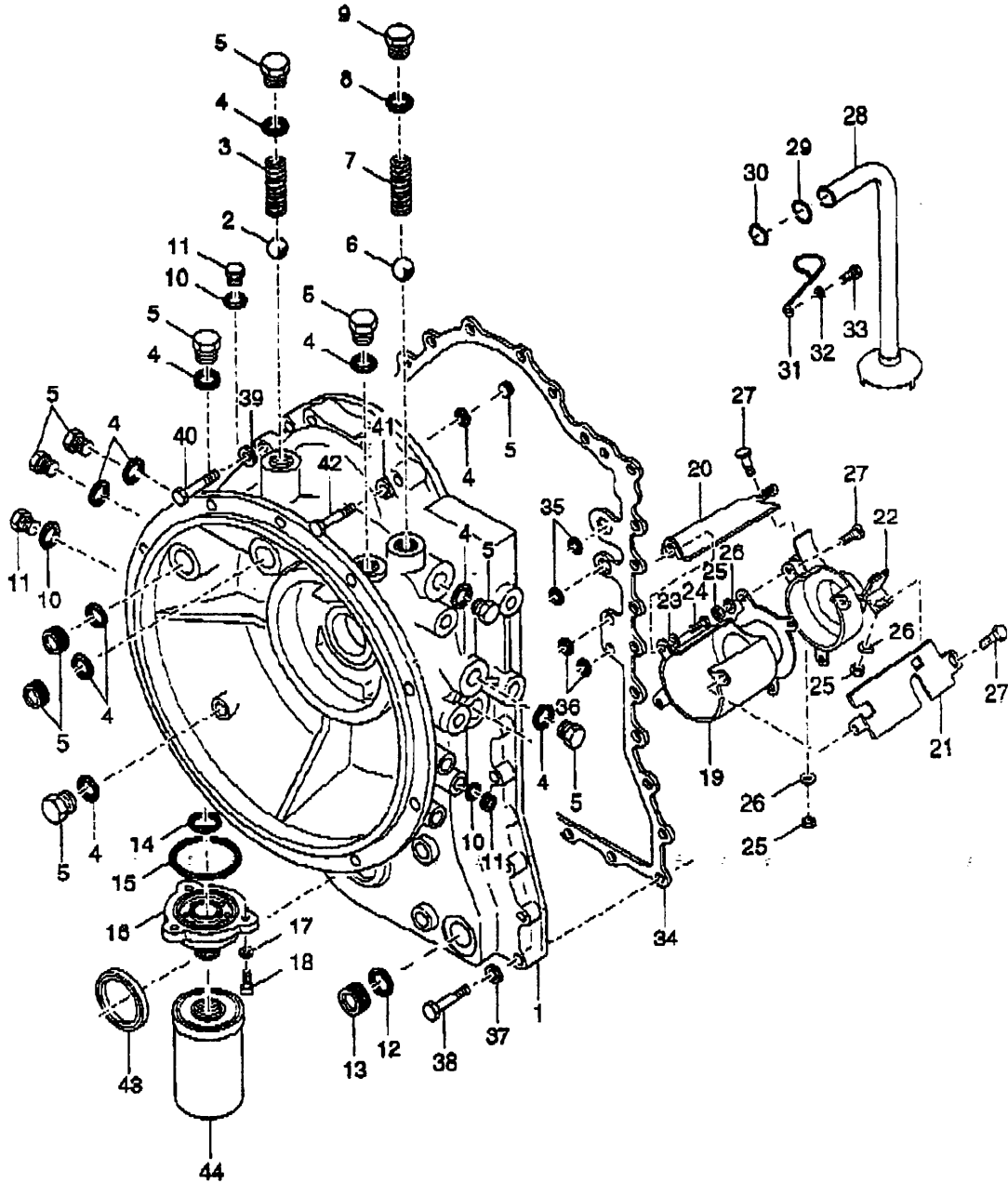


GRP-T16-000 11-96

1

T16000

CONVERTER HOUSING GROUP



GRP-T16-1 11-96

CLARK-HURTH

COMPONENTS

Date : 18.11.96

Revised :

CLARK MODEL :TK100763 GROUP

T1600

CONVERTER HOUSING GROUP

<u>Item</u>	<u>Qty</u>	<u>Part N°</u>	<u>%</u>	<u>Description</u>
1	1	TK016464	E	Converter Housing Assembly
2	1	19JM170		Ball
3	1	TK016068		By-pass Spring
4	11	TK016109		Plug "O" Ring - Part Of Item 5
5	11	TK015997		Plug - Including Item 4
6	1	19JM250		Ball
7	1	TK016025		Safety Valve Spring
8	1	76K123		Plug "O" Ring - Part Of Item 9
9	1	TK016116		Plug - Including Item 8
10	3	76K11		Plug "O" Ring - Part Of Item 11
11	3	TK015988		Plug - Including Item 10
12	1	91F10		Plug "O" Ring - Part Of Item 13
13	1	24K10		Plug - Including Item 12
14	1	25K20030	B	Filter Adaptor "O" Ring
15	1	25K40228	B	Filter Adaptor "O" Ring
16	1	4203643		Filter Adaptor
17	3	6EM100		Filter Adaptor Screw Lockwasher
18	3	1GM1025		Filter Adaptor Screw
19	1	TK016467		Oil Baffle (Front)
20	1	TK016137		Oil Baffle Plate
21	1	TK016138		Oil Baffle Plate
22	1	TK016468		Oil Baffle (Rear)
23	3	6EM100		Oil Baffle Mounting Screw Lockwasher
24	3	1GM1016		Oil Baffle Mounting Screw
25	5	4DM6		Oil Baffle Plate Mounting Screw Nut
26	5	6EM60		Oil Baffle Plate Mounting Screw Nut Lockwasher
27	5	1GM616		Oil Baffle Plate Mounting Screw
28	1	TK016483	E	Suction Tube Assembly
29	1	7JM47		Suction Tubr Retainer
30	1	76K217	B	Suction Tube "Oé Ring
31	1	TK016009		Suction Tube Clip

3

CLARK-HURTH

COMPONENTS

Date : 18.11.96

Revised :

CLARK MODEL :TK100763 GROUP

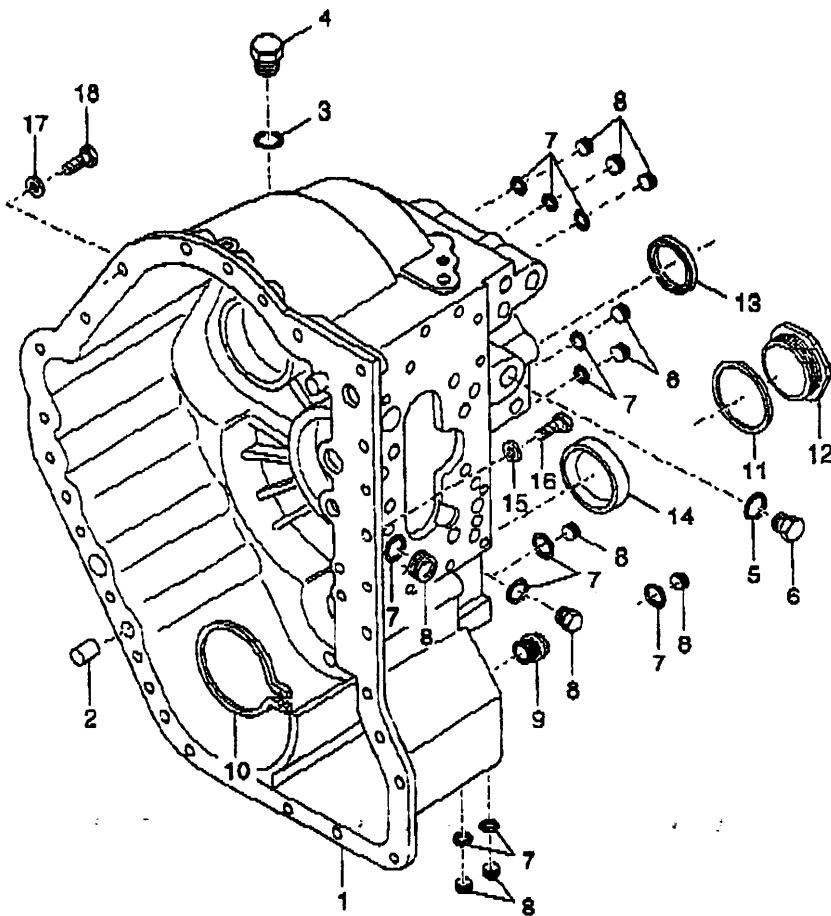
<u>Item</u>	<u>Qty</u>	<u>Part N°</u>	<u>%</u>	<u>Description</u>
32	1	6EM100		Suction Tube Mounting Screw Lockwasher
33	1	1GM1016		Suction Tube Mounting Screw
34	1	TK016006	B	Converter Housing To Transmission Case Gasket
35	2	60K20026	B	Converter Housing To Transmission Case "O" Ring
36	2	76K13	B	Converter Housing To Transmission Case "O" Ring
37	14	6EM100		Converter Hsg. To Transm. Case Screw Lockwasher
38	14	7CM1050		Converter Hsg. To Transm. Case Screw
39	1	6EM100		Converter Hsg. To Transm. Case Screw Lockwasher
40	1	7CM1030		Converter Hsg. To Transm. Case Screw
41	5	6EM100		Converter Hsg. To Transm. Case Screw Lockwasher
42	5	7CM1030		Converter Hsg. To Transm. Case Screw
43	1	TK015488	B	Output Shaft Seal (Front)
44	1	4203691	B	Filter Assembly

% - Part Stock Recommendation

4

T16000

TRANSMISSION CASE GROUP



5

CLARK-HURTH

COMPONENTS

Date: 18.11.96

Revised:

CLARK MODEL : TK 100761 GROUP

T16000

TRANSMISSION CASE GROUP

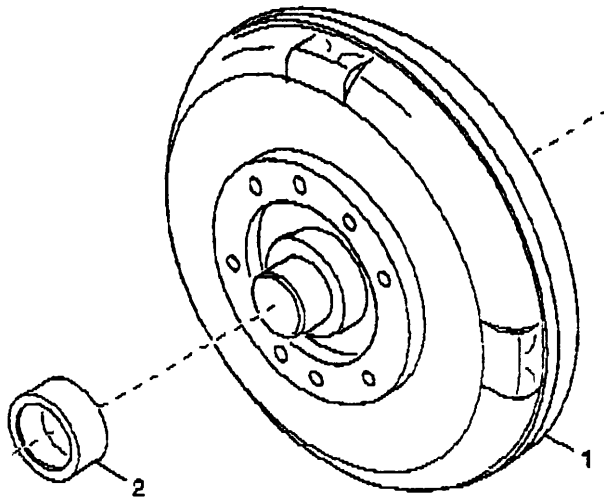
<u>Item</u>	<u>Qty</u>	<u>Part N°</u>	<u>%</u>	<u>Description</u>
1	1	TK016462	E	Transmission Case Assembly
2	2	TK015439		Transmission Case To Converter Housing Pin
3	1	TK016109		Plug "O" Ring - Part Of Item 4
4	1	TK015997		Plug - Including Item 3
5	1	76K210		Plug "O" Ring - Part Of Item 6
6	1	TK016132		Plug - Including Item 5
7	11	76K11		Plug "O" Ring - Part Of Item 8
8	11	TK015988		Plug - Including Item 7
9	1	81901.610.01		Magnetic Drain Plug
10	1	234229		Output Shaft Rear Bearing Snap Ring
11	1	219373	B	Plug Gasket
12	1	TK016491		Plug
13	1	TK015488		Upper Output Shaft Seal (Rear)
14	1	TK016456	C	Output Shaft Bore Plug
15	4	TK016547		Aux Pump Mounting Studs NOT ILLUSTRATED

% - Part Stock Recommendation

6

T16000

TORQUE CONVERTER GROUP



7

CLARK-HURTH COMPONENTS

Date : 17.04.96

Revised :

CLARK MODEL : 4500668 GROUP

T16000

TORQUE CONVERTER GROUP

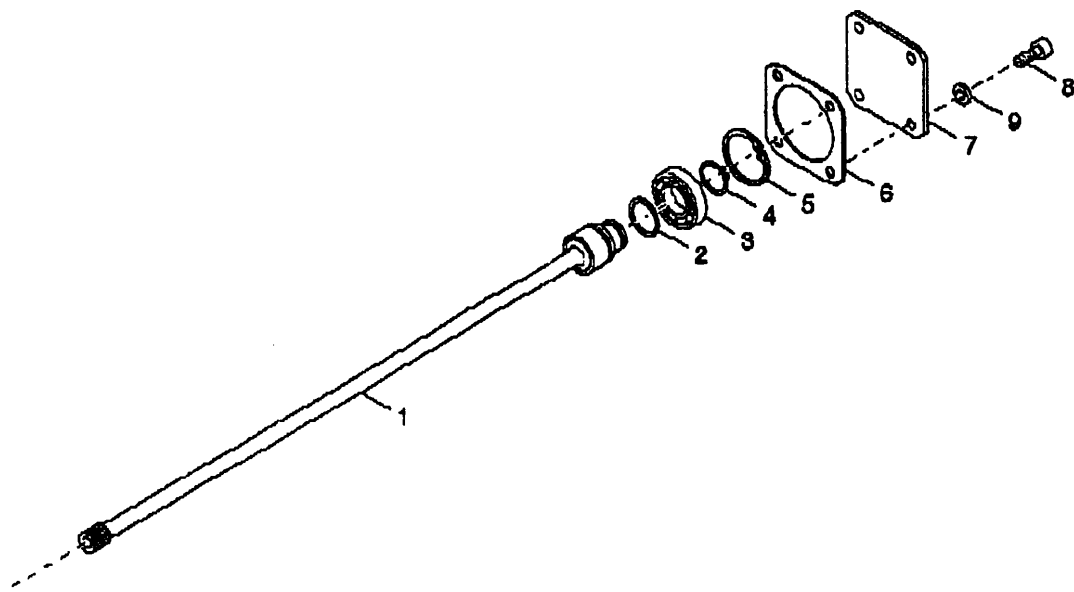
<u>Item</u>	<u>Qty</u>	<u>Part N°</u>	<u>%</u>	<u>Description</u>
1	1	4203960	E	Torque Converter & Bushing Assembly - Including Item 2
2	1	4203948		Torque Converter Pilot Bushing - Including In Item 1

% - Part Stock Recommendation

8

T16000

PUMP DRIVE GROUP



GRP-T16-31-4-96

9

CLARK-HURTH

COMPONENTS

Date : 18.11.96

Revised :

CLARK MODEL : TK100764 GROUP

T16000

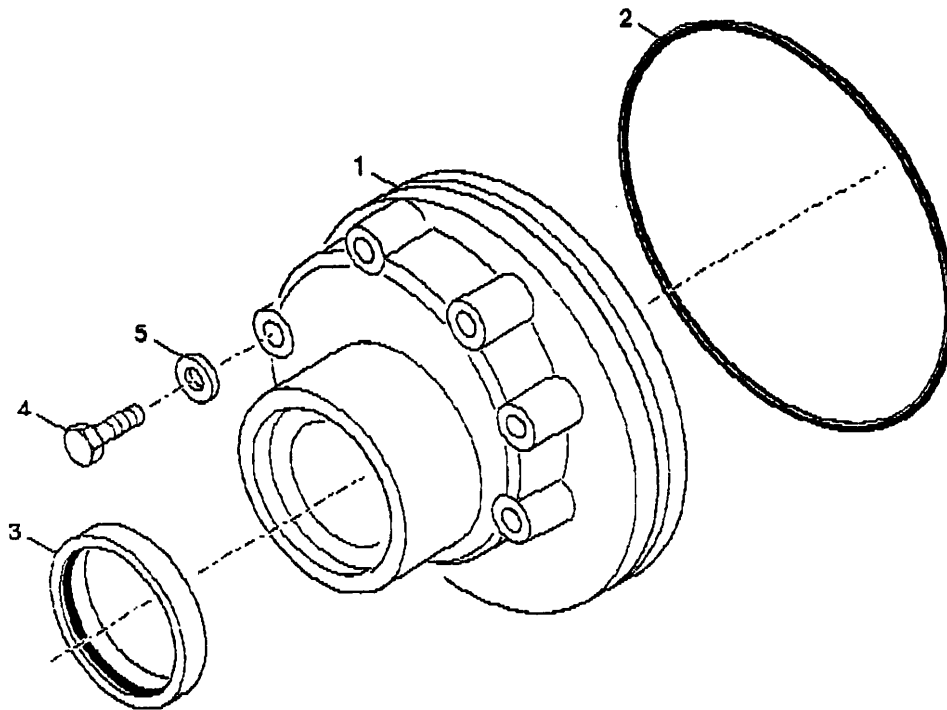
PUMP DRIVE GROUP

<u>Item</u>	<u>Qty</u>	<u>Part N°</u>	<u>%</u>	<u>Description</u>
1	1	TK016328	E	Pump Drive Shaft & Sleeve Assembly
2	1	TK015570	B	Piston Ring
3	1	230829	D	Pump Drive Shaft Bearing
4	1	5JM40		Pump Drive Shaft Bearing Snap Ring
5	1	7JM68		Pump Drive Shaft Bearing Retaining Ring
6	1	4201747	B	Pump Hole Cover Gasket
7	1	216355		Pump Hole Cover
8				Not Used On This Model
9	4	4E8		Pump Hole Cover Stud Nut Lockwasher
10	4	TK016548		Pump Hole Cover Spacer Not Illustrated
11	4	62D8		Pump Hole Cover Stud Nut Not Illustrated
12	4	86D08		Aux. Pump Mounting Stud Nut Not Illustrated

% - Part Stock Recommendation

T16000

CHARGING PUMP GROUP



GRP-T16-41 11-96

11

CLARK-HURTH
COMPONENTS

Date : 19.11.96

Revised :

CLARK MODEL : TK100682 GROUP

T16000

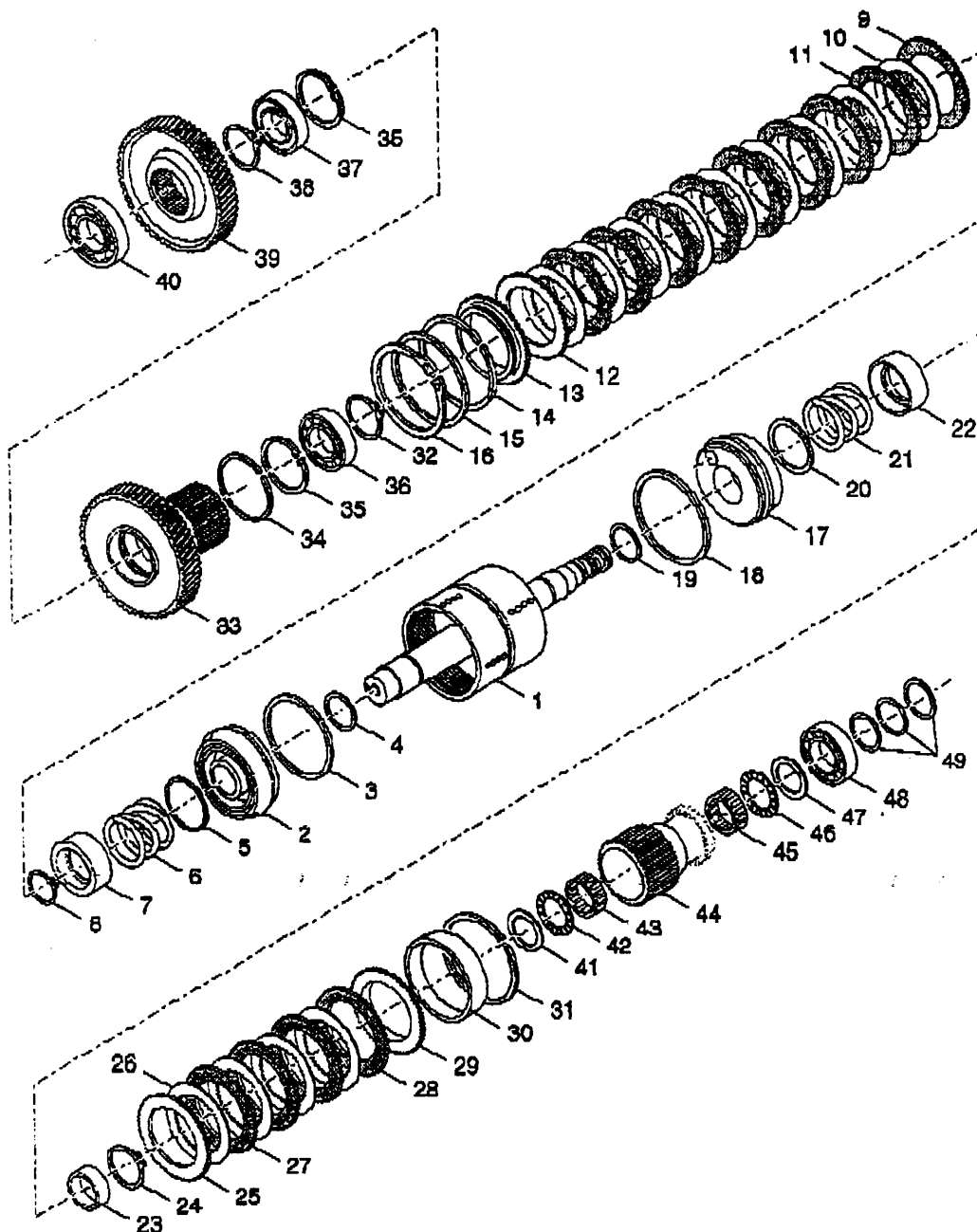
CHARGING PUMP GROUP

<u>Item</u>	<u>Qty</u>	<u>Part N°</u>	<u>%</u>	<u>Description</u>
1	1	TK016060	D	Charging Pump Assembly - Including Items 2 And 3
2	1	TK016062	B	Charging Pump "O" Ring
3	1	TK015464	B	Charging Pump Oil Seal
4	6	1CM855		Charging Pump Mounting Screw
5	6	4203428		Charging Pump Mounting Screw Seal Washer

% - Part Stock Recommendation

T16000

FWD LOW / FWD HIGH SHAFT AND GEARS GROUP



GRP-T16-51 11-96

CLARK-HURTH

COMPONENTS

Date : 18.11.96

Revised :

CLARK MODEL : TK100766 GROUP

T16000

FWD LOW / FWD HIGH SHAFT AND GEARS GROUP

<u>Item</u>	<u>Qty</u>	<u>Part N°</u>	<u>%</u>	<u>Description</u>
1	1	TK016502	E	Fwd Low / Fwd High Shaft Drum & Plug Ass'y.
2	1	TK015469	C	Clutch Piston & Seals Ass'y. - Incl. Items 3 And 4
3	1	237032	B	Clutch Piston Outer Seal - Incl. In Item 2
4	1	234113	B	Clutch Piston Inner Seal - Incl. In Item 2
5	1	TK015428	D	Clutch Piston Wear Plate
6	1	TK015478	D	Piston Return Spring
7	1	TK015577	D	Spring Retainer
8	1	234350	B	Retainer Snap Ring
9	1	TK016538	D	Clutch Outer Half Disc
10	9	TK016512	D	Clutch Inner Disc
11	8	TK016537	D	Clutch Outer Disc
12	1	TK016538		Clutch Outer Half Disc
13	1	TK016500	D	Clutch Disc Backing Plate
14	1	234111	C	Clutch Disc Backing Plate Snap Ring
15	1	TK016501		Clutch Disc Backing Plate Spacer
16	1	SJM115		Backing Plate Spacer Snap Ring
17	1	TK015469		Clutch Piston & Seals Ass'y. - Incl. Items 18 And 19
18	1	237032		Clutch Piston Outer Seal - Incl. In Item 17
19	1	234113		Clutch Piston Inner Seal - Incl. In Item 17
20	1	TK015428		Clutch Piston Wear Plate
21	1	TK015478		Piston Return Spring
22	1	TK015577		Spring Retainer
23	1	TK015479		Clutch Spring Fwd. High Spacer
24	1	234350		Retainer Snap Ring
25	1	TK016538		Clutch Outer Half Disc
26	4	TK016512		Clutch Inner Disc
27	3	TK016537		Clutch Outer Disc
28	1	TK016538		Clutch Outer Half Disc
29	1	TK016321		Clutch Disc Backing Plate
30	1	TK016314		Clutch Plate Fwd / High Spacer
31	1	234111		Clutch Disc Backing Plate Snap Ring
32	1	SJM50	C	Bearing Snap Ring

CLARK-HURTH

COMPONENTS

Date : 18.11.96

Revised :

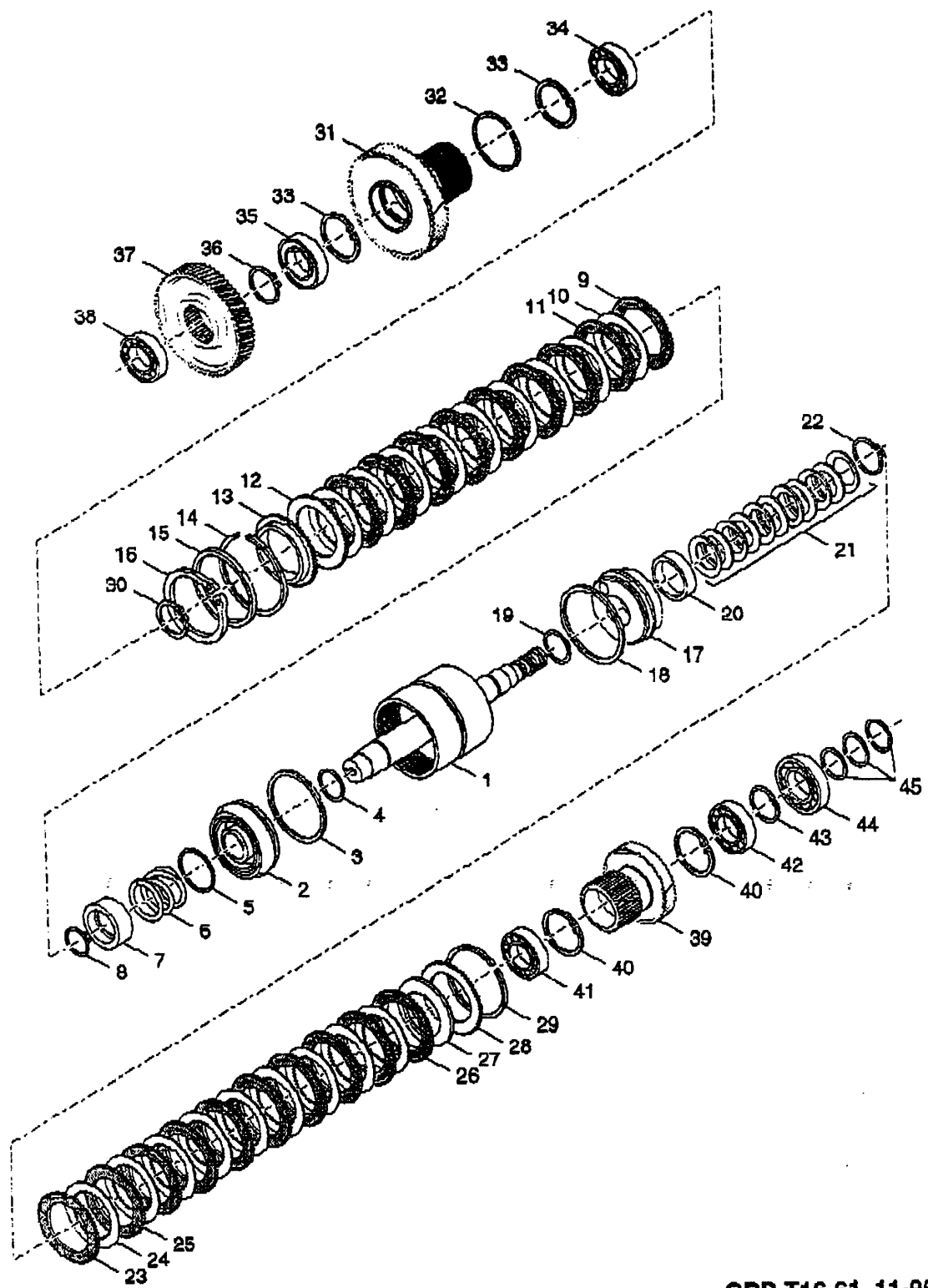
CLARK MODEL : TK100766 GROUP

<u>Item</u>	<u>Qty</u>	<u>Part N°</u>	<u>%</u>	<u>Description</u>
33	1	TK016497	E	Forward Low Clutch Gear (54T)
34	1	TK016494	B	Clutch Gear Piston Ring
35	2	7JM80	C	Forward Low Clutch Gear Bearing Locating Ring
36	1	230885	C	Forward Low Clutch Gear Inner Bearing
37	1	TK016495	C	Forward Low Clutch Gear Outer Bearing - Shield Out
38	1	5JM50		Bearing Snap Ring
39	1	TK016294	E	Forward Driven Gear (42T)
40	1	TK016477	C	Fwd Low / Fwd High Shaft Front Bearing
41	1	TK015446		Thrust Bearing Spacer
42	1	TK015447	C	Forward High Clutch Gear Thrust Bearing
43	1	TK015445	C	Forward High Clutch Gear Needle Bearing
44	1	TK016317	E	Forward High Clutch Gear (34T)
45	1	TK015445		Forward High Clutch Gear Needle Bearing
46	1	TK015447		Forward High Clutch Gear Thrust Bearing
47	1	TK015446		Thrust Bearing Spacer
48	1	237972	C	Fwd Low / Fwd High Shaft Rear Bearing
49	3	TK015569	B	Fwd Low / Fwd High Shaft Piston Ring

% - Part stock recommendation

T16000

REVERSE / 1ST SHAFT AND GEARS GROUP



GRP-T16-61 11-96

CLARK-HURTH

COMPONENTS

Date : 19.11.96

Revised :

CLARK MODEL : TK100767 GROUP

T16000

REVERSE / 1ST SHAFT AND GEARS GROUP

<u>Item</u>	<u>Qty</u>	<u>Part No</u>	<u>%</u>	<u>Description</u>
1	1	TK016502	E	Reverse / 1st Shaft Drum & Plug Ass'y.
2	1	TK015469		Clutch Piston & Seals Ass'y. - Incl. Items 3 And 4
3	1	237032		Clutch Piston Outer Seal - Incl. In Item 2
4	1	234113		Clutch Piston Inner Seal - Incl. In Item 2
5	1	TK015428		Clutch Piston Wear Plate
6	1	TK015478		Piston Return Spring
7	1	TK015577		Spring Retainer
8	1	234350		Retainer Snap Ring
9	1	TK016538		Clutch Outer Half Disc
10	9	TK016512		Clutch Inner Disc
11	8	TK016537		Clutch Outer Disc
12	1	TK016538		Clutch Outer Half Disc
13	1	TK016500		Clutch Disc Backing Plate
14	1	234111		Clutch Disc Backing Plate Snap Ring
15	1	TK016501		Clutch Disc Backing Plate Spacer
16	1	5JM115		Backing Plate Spacer Snap Ring
17	1	TK015469		Clutch Piston & Seals Ass'y. - Incl. Items 18 And 19
18	1	237032		Clutch Piston Outer Seal - Incl. In Item 17
19	1	234113		Clutch Piston Inner Seal - Incl. In Item 17
20	1	TK015480		Clutch Piston Wear Plate
21	1	TK015481		Piston Return Spring (Belleville Washer)
22	1	234350		Snap Ring
23	1	TK016538		Clutch Outer Half Disc
24	9	TK016512		Clutch Inner Disc
25	8	TK016537		Clutch Outer Disc
26	1	TK016538		Clutch Outer Half Disc
27	1	TK015572	D	Modulation Spring
28	1	TK016321		Clutch Disc Backing Plate
29	1	234111		Clutch Disc Backing Plate Snap Ring
30	1	5JM50		Bearing Snap Ring
31	1	TK016497		Reverse Clutch Gear (54T)
32	1	TK016494		Clutch Gear Piston Ring

17

CLARK-HURTH

COMPONENTS

Date : 19.11.96

Revised :

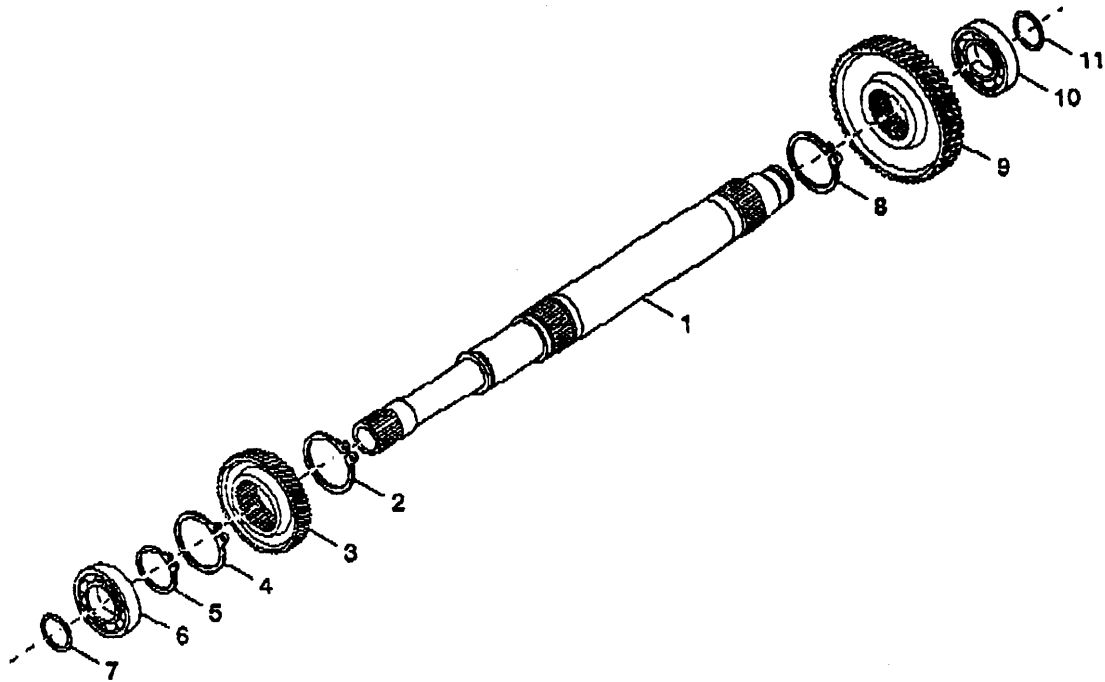
CLARK MODEL : TK100767 GROUP

<u>Item</u>	<u>Qty</u>	<u>Part N°</u>	<u>%</u>	<u>Description</u>
33	2	7JM80		Reverse Clutch Gear Locating Ring
34	1	230885		Reverse Clutch Gear Inner Bearing
35	1	TK016495		Reverse Clutch Gear Outer Bearing - Shield Out
36	1	5JM50		Bearing Snap Ring
37	1	TK016295	E	Reverse Driven Gear (50T)
38	1	TK016477		Reverse / 1st Shaft Front Bearing
39	1	TK016318	E	1st Clutch Gear (30T)
40	2	7JM75	C	1st Clutch Gear Bearing Locating Ring
41	1	230860	C	1st Clutch Gear Inner Bearing
42	1	233390	C	1st Clutch Gear Outer Bearing - Shield Out
43	1	5JM45	C	Bearing Snap Ring
44	1	501.0118	C	Reverse / 1st Shaft Rear Bearing.
45	3	TK015569		Reverse / 1st Shaft Piston Ring

% - Part Stock Recommendation

T16000

INPUT SHAFT GROUP



GRP-T16-71-4-96

19

CLARK-HURTH

COMPONENTS

Date : 19.11.96

Revised :

CLARK MODEL : TK100756 GROUP

T16000

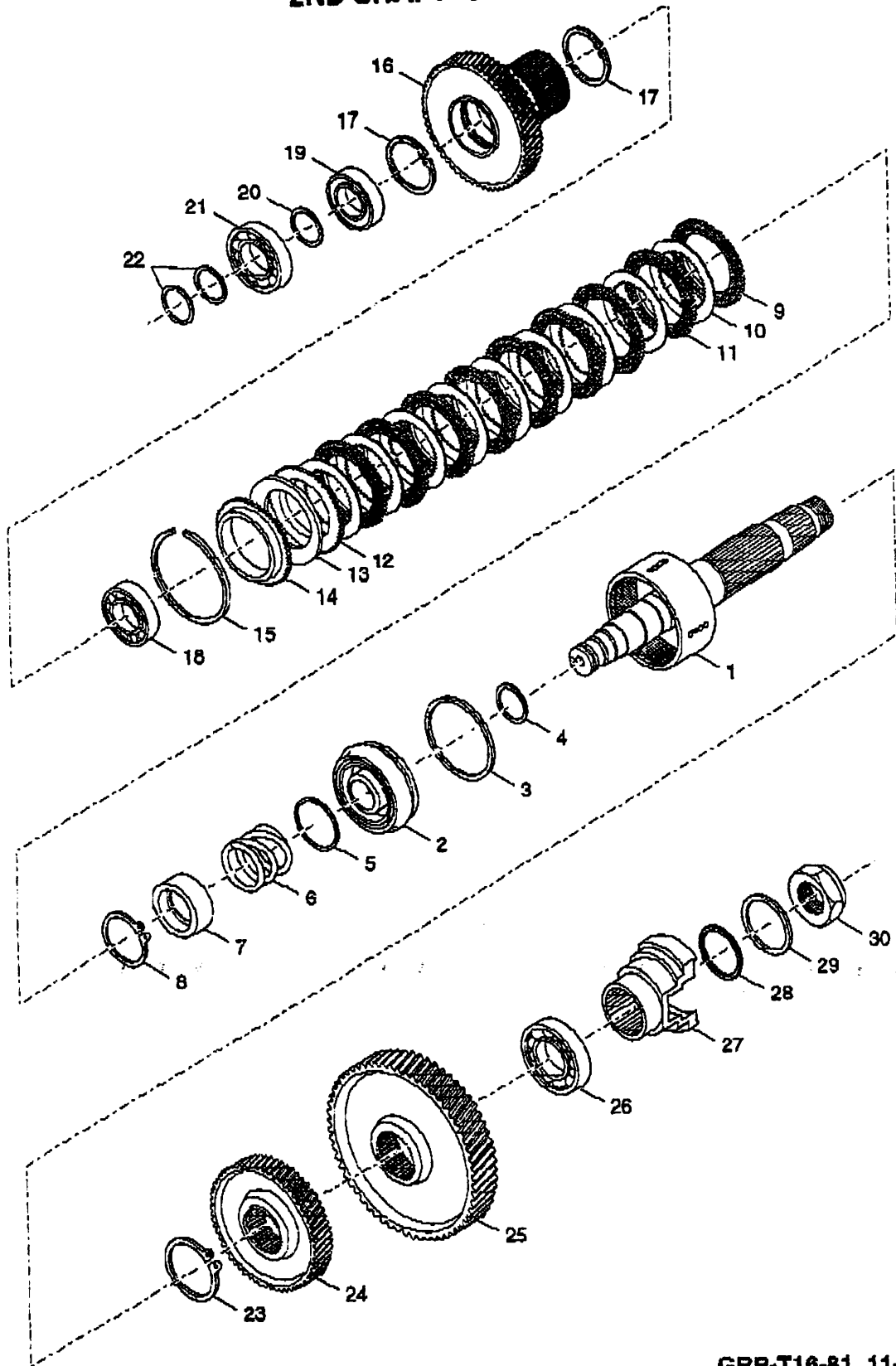
INPUT SHAFT GROUP

<u>Item</u>	<u>Qty</u>	<u>Part N°</u>	<u>%</u>	<u>Description</u>
1	1	TK016303	E	Input Shaft
2	1	TK016316		Forward Low Gear Gear Snap Ring
3	1	TK016291	E	Forward Low Gear (26T)
4	1	5JM50		Forward Low Gear Snap Ring
5	1	5JM40		Input Shaft Front Bearing Snap Ring
6	1	501.0118	D	Input Shaft Front Bearing
7	1	TK015569	B	Input Shaft Piston Ring
8	1	5JM50		Forward High Gear Snap Ring
9	1	TK016290	E	Forward High Gear (62T)
10	1	501.0118		Input Shaft Rear Bearing
11	1	TK015569		Input Shaft Piston Ring

% - Part Stock Recommendation

T16000

2ND SHAFT GROUP



GRP-T16-81 11-96

CLARK-HURTH

COMPONENTS

Date : 19.11.96

Revised :

CLARK MODEL : TK100757 GROUP

T16000

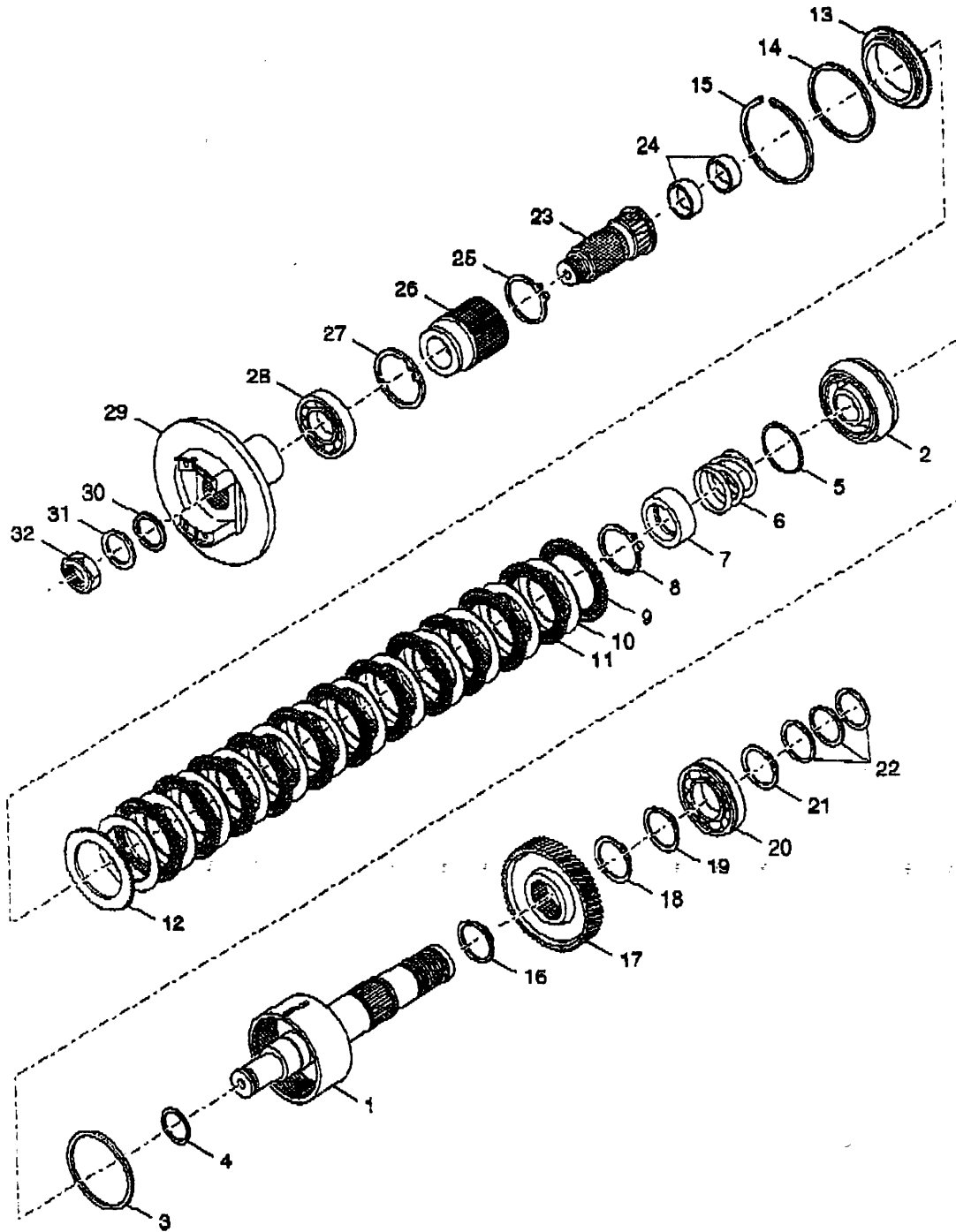
2ND SHAFT GROUP

<u>Item</u>	<u>Qty</u>	<u>Part N°</u>	<u>%</u>	<u>Description</u>
1	1	TK016320		2nd Shaft,Hub, Drum And Plug Assembly
2	1	TK015469		Clutch Piston & Seals Ass'y. - Incl. Items 3 And 4
3	1	237032		Clutch Piston Outer Seal - Incl. In Item 2
4	1	234113		Clutch Piston Inner Seal - Incl. In Item 2
5	1	TK015428		Clutch Piston Wear Plate
6	1	TK015478		Piston Return Spring
7	1	TK015577		Spring Retainer
8	1	234350		Retainer Snap Ring
9	1	TK016538		Clutch Outer half Disc
10	9	TK016512		Clutch Inner Disc
11	8	TK016537		Clutch Outer Disc
12	1	TK016538		Clutch Outer Half Disc
13	1	TK015572		Modulation Spring
14	1	TK016321		Clutch Disc Backing Plate
15	1	234111		Clutch Disc Backing Plate Snap Ring
16	1	TK016298		2nd Clutch Gear (52T)
17	2	7JM75		2nd Clutch Gear Bearing Locating Ring
18	1	230860		2nd Clutch Gear Inner Bearing
19	1	233390		2nd Clutch Gear Outer Bearing - Shield Out
20	1	TK015599		Bearing Support Washer
21	1	501.0118		2nd Shaft Front Bearing
22	2	TK015569		2nd Shaft Piston Ring
23	1	249936	C	Gear Retainer Snap Ring
24	1	TK016293	E	Lower Output Drive Gear (41T)
25	1	TK016296	E	Upper Output Gear (59T)
26	1	TK016478	C	2nd Shaft Rear Bearing
27	1	TK015489	E	Upper Output Flange (Yoke 1410)
28	1	25K60128	B	Output Flange "O" Ring
29	1	231916		Output Flange Washer
30	1	215634	C	Output Flange Nut

% - Part Stock Recommendation

T16000

OUTPUT SHAFT WITH INTERNAL DISCONNECT GROUP



GRP-T16-91 11-96

23

CLARK-HURTH

COMPONENTS

Date : 19.11.96

Revised :

CLARK MODEL : TK100765 GROUP

T16000

OUTPUT SHAFT WITH INTERNAL DISCONNECT GROUP

<u>Item</u>	<u>Qty</u>	<u>Part N°</u>	<u>%</u>	<u>Description</u>
1	1	TK016323	E	Rear Output Shaft Drum & Plug Assembly
2	1	TK015469		Clutch Piston & Seals Ass'y. - Incl. Items 3 And 4
3	1	237032		Clutch Piston Outer Seal - Incl. In Item 2
4	1	234113		Clutch Piston Inner Seal - Incl. In Item 2
5	1	TK015428		Clutch Piston Wear Plate
6	1	TK015478		Piston Return Spring
7	1	TK015577		Spring Retainer
8	1	234350		Retainer Snap Ring
9	1	TK016538		Clutch Outer Half Disc
10	12	TK016512		Clutch Inner Disc
11	11	TK016537		Clutch Outer Disc
12	1	TK016538		Clutch Outer Half Disc
13	1	TK016321		Clutch Disc Backing Plate
14	1	TK016325		Clutch Disc Backing Plate Spacer
15	1	234111		Clutch Disc Backing Plate Snap Ring
16	1	5JM65	C	Gear Retainer Snap Ring
17	1	TK016297		Lower Output Gear (39T)
18	1	5JM65		Gear Retainer Ring
19	1	5JM60		Gear Retainer Ring
20	1	TK016457		Output Shaft Rear Bearing
21	1	5JM60		Output Shaft Rear Bearing Snap Ring
22	3	TK015571		Output Shaft Piston Ring
23	1	TK016453	E	Front Output Shaft Assembly - Incl. Item 24
24	2	TK015530	C	Output Shaft Bushing - Incl. In Item 23
25	1	249936		Gear Retainer Snap Ring
26	1	TK016326		Disconnect Hub
27	1	7JM100	C	Retainer Ring
28	1	225874	C	Output Shaft Front Bearing
29	1	TK015497	E	Front Output Flange (Yoke 1410)
30	1	25K60128		Output Flange "O" Ring
31	1	231916		Output Flange Washer

24



Date : 19.11.96

Revised :

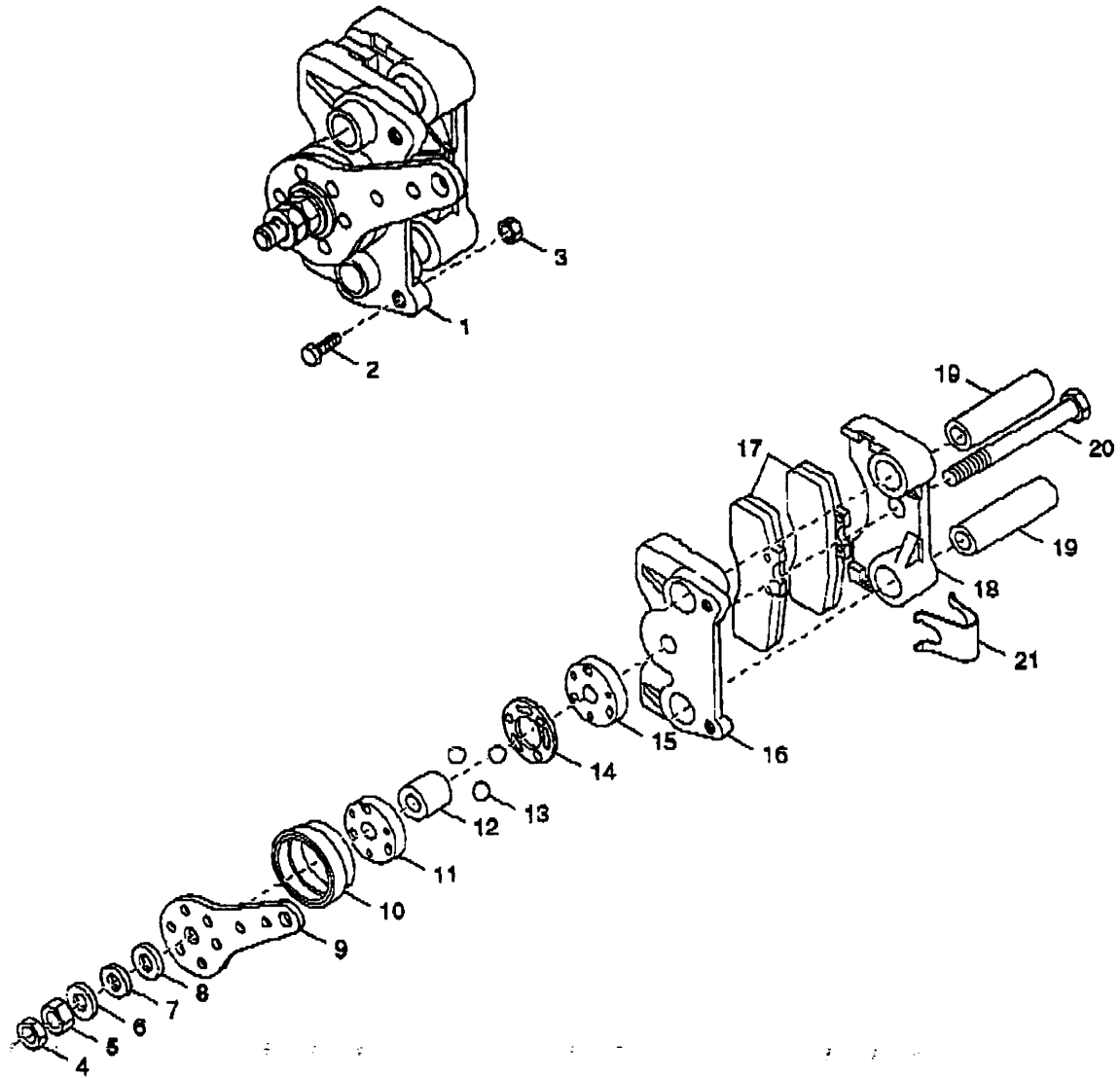
CLARK MODEL : TK100765 GROUP

<u>Item</u>	<u>Qty</u>	<u>Part N°</u>	<u>%</u>	<u>Description</u>
32	1	215634		Output Flange Nut

% - Part stock recommendation

25

T16000 PARKING BRAKE GROUP





Date : 20.11.96

Revised :

CLARK MODEL : TK100615 GROUP

T16000

PARKING BRAKE GROUP

<u>Item</u>	<u>Qty</u>	<u>Part N°</u>	<u>%</u>	<u>Description</u>
1	1	4203421	E	Parking Brake Assembly - Incl. Items 4 Thru 21
2	2	17C872		Parking Brake Mounting Screw
3	2	63D8		Parking Brake Mounting Screw Nut
4	1	4203438	D	Jam Adjusting Nut
5	1	4203437		Adjustment Nut
6	1	4203436		Hardened Washer
7	1	4203435		Stainless Steel Washer
8	1	N.S.S.		Trust Washer - See Item 23
9	1	4203434	E	Lever
10	1	N.S.S.		Boot - See Item 23
11	1	4203431	D	Cam
12	1	N.S.S.		Id Seal - See Item 23
13	3	4203433		Ball
14	1	4203432	D	Plastic Retainer
15	1	4203431		Cam
16	1	N.S.S.		Front Torque Plate - Part Of Item 1
17	2	N.S.S.		Carrier And Lining Assembly - See Item 22 Or 23
18	1	N.S.S.		Rear Torque Plate - Part Of Item 1
19	2	4203429		Mounting Sleeve
20	1	4203430	D	Adjusting Bolt
21	1	N.S.S.		Spring - See Item 22 Or 23
22	1	4203440	C	Brake Assembly Lining Kit - Incl. Items 17 And 21
23	1	4203439	D	Hardware Parts Kit - Incl. Items 8,10,12 And 22

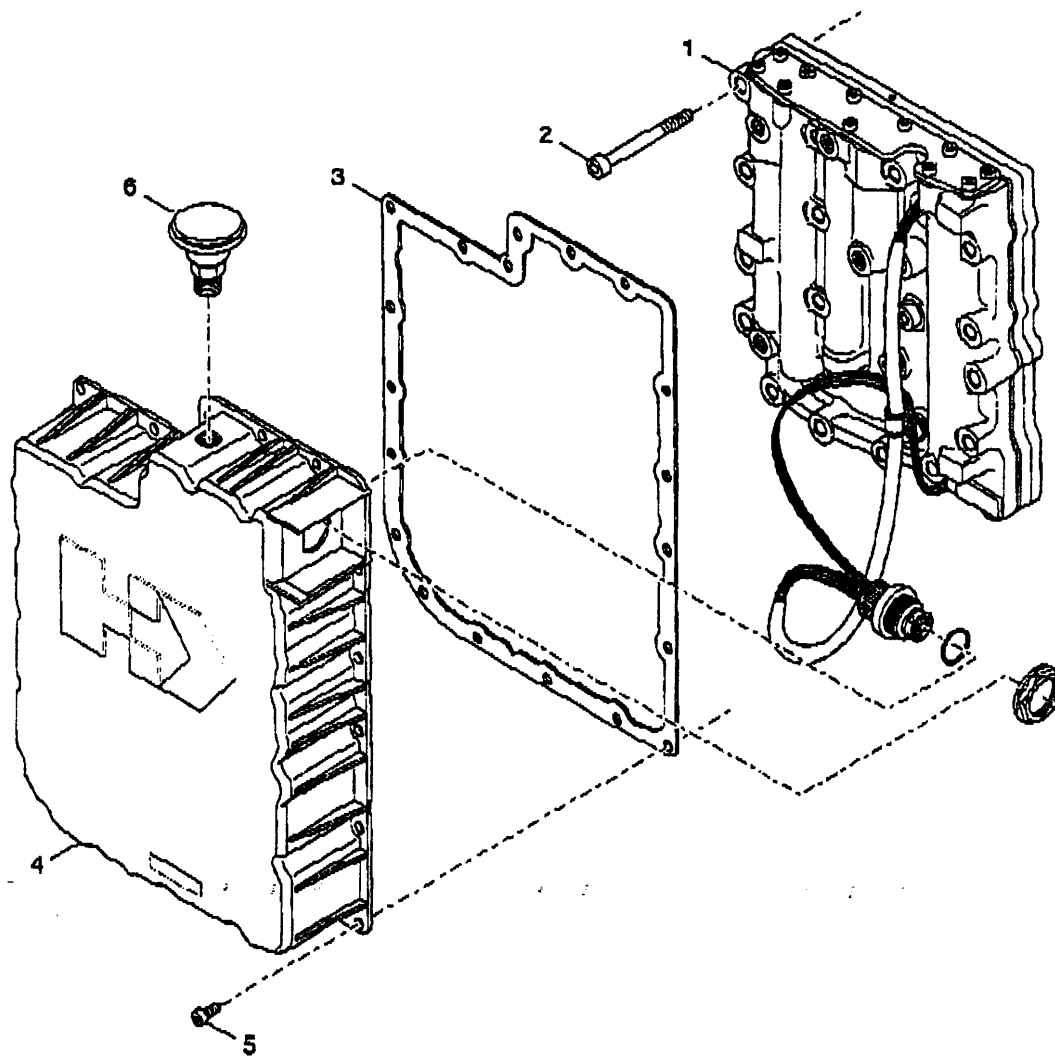
N.S.S. - Not Sold Separately

% - Part Stock Recommendation

27

T16000

CONTROL VALVE MOUNTING GROUP



GRP-T16-121 11-96

CLARK-HURTH
COMPONENTS

Date : 19.11.96

Revised :

CLARK MODEL : TK100759 GROUP

T16000

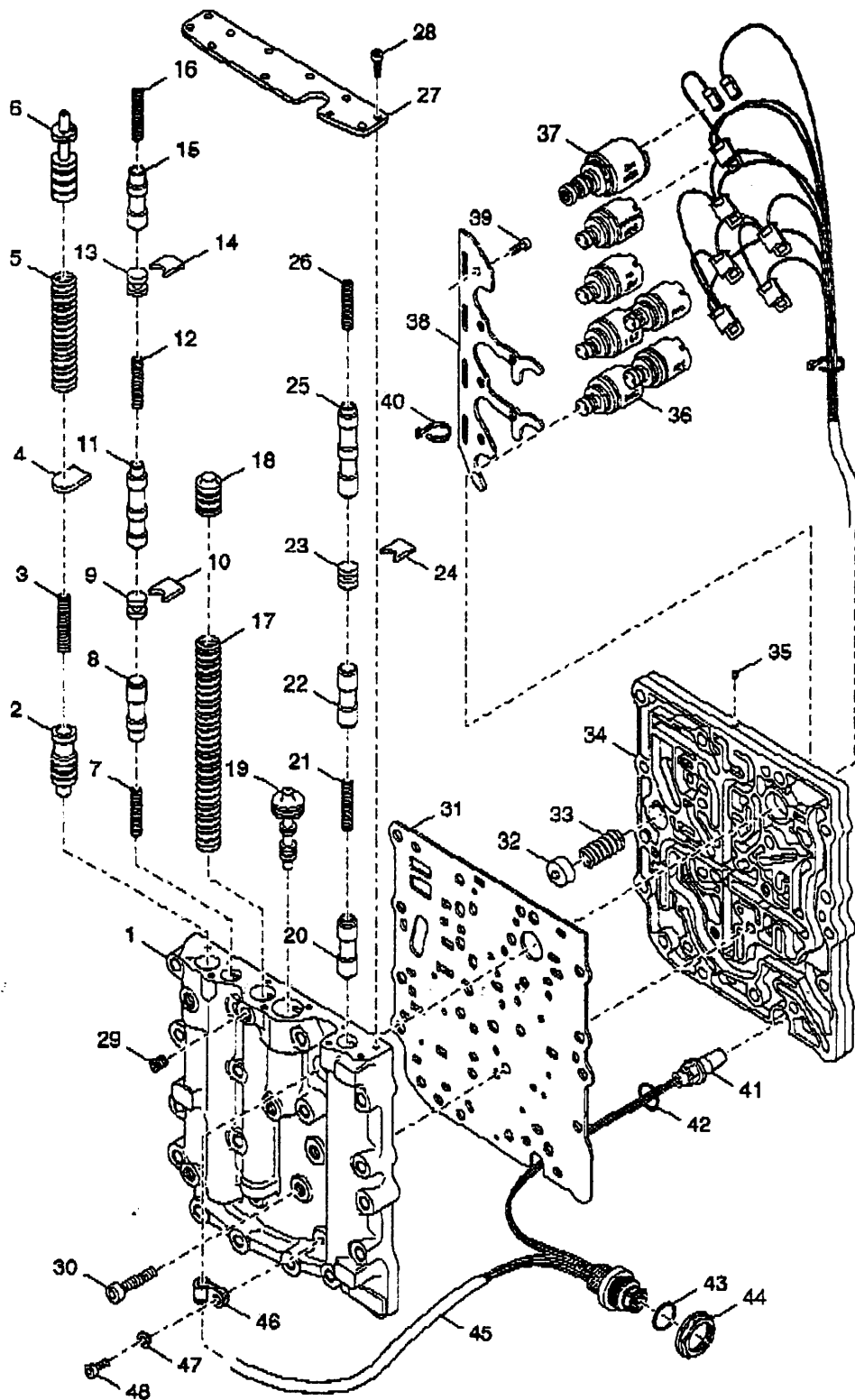
CONTROL VALVE MOUNTING GROUP

<u>Item</u>	<u>Qty</u>	<u>Part N°</u>	<u>%</u>	<u>Description</u>
1	1	TK016510	E	Control Valve Assembly
2	17	1GM865		Control Valve Mounting Screw
3	1	TK016550	B	Control Valve Protection Cover Gasket
4	1	4203921		Control Valve Protection Cover
5	20	1GM612		Protection Cover Screw
6	1	238535	D	Air Breather

% - Part Stock Recommendation

T16000

CONTROL VALVE ASSEMBLY



CLARK-HURTH

COMPONENTS

Date : 19.11.96

Revised :

CLARK MODEL : TK016510 GROUP

T16000

CONTROL VALVE ASSEMBLY

<u>Item</u>	<u>Qty</u>	<u>Part N°</u>	<u>%</u>	<u>Description</u>
1	1	N.S.S.		Spool Body
2	1	N.S.S.		Pressure Reducer Spool
3	1	N.S.S.		Pressure Reducer Spring
4	1	N.S.S.		Separator Plate
5	1	N.S.S.		Pressure Regulator Spring
6	1	N.S.S.		Pressure Regulator Spool
7	1	N.S.S.		Pilot Spool Spring
8	1	N.S.S.		Disconnect Spool
9	1	N.S.S.		Spool Stop
10	1	N.S.S.		Separator Plate
11	1	N.S.S.		1st / 2nd Spool
12	1	N.S.S.		Pilot Spool Spring
13	1	N.S.S.		Spool Stop
14	1	N.S.S.		Separator Plate
15	1	N.S.S.		Range Modulation Spool
16	1	N.S.S.		Pilot Spool Spring
17	1	N.S.S.		Accumulator Spring
18	1	N.S.S.		Accumulator Spool
19	1	N.S.S.		Booster Spool
20	1	N.S.S.		Reverse Spool
21	1	N.S.S.		Pilot Spool Spring
22	1	N.S.S.		Forward Spool
23	1	N.S.S.		Spool Stop
24	1	N.S.S.		Separator Plate
25	1	N.S.S.		Fwd. Low / Fwd. High. Spool
26	1	N.S.S.		Pilot Spool Spring
27	1	N.S.S.		Spool Cover
28	11	N.S.S.		Spool Cover Screw
29	4	N.S.S.		Check Port Plugs
30	3	N.S.S.		Spool Body To Solenoid Plate Screw
31	1	N.S.S.		Spacer Plate
32	1	TK016066		Bypass Valve Spool

CLARK-HURTH

COMPONENTS

Date : 19.11.96

Revised :

CLARK MODEL : TK016510 GROUP

<u>Item</u>	<u>Qty</u>	<u>Part N°</u>	<u>%</u>	<u>Description</u>
33	1	TK016122		Bypass Valve Spring
34	1	N.S.S.		Solenoid Plate
35	6	N.S.S.		Plug
36	6	4203147		Solenoid
37	1	4203145		Electronic Controlled Modulation Valve
38	1	N.S.S.		Solenoid Clamp
39	6	N.S.S.		Solenoid Clamp Screw
40	6	N.S.S.		Wiring Strap
41	1	4203050		Speed Sensor
42	1	25K20024	B	Speed Sensor "O" Ring
43	1	60K40030	B	Jam Nut "O" Ring
44	1			Jam Nut
45	1	TK016265		Wiring Harness, "O" Rings , Jam Nut And Speed Sensor Ass'y. Incl. Items 41,42,43 And 44
46	1	N.S.S.		Wiring Clamp
47	1	N.S.S.		Clamp Screw LockWasher
48	1	N.S.S.		Clamp Screw
49	1	TK016510		Control Valve Assembly - Including Items 1 Thru 48

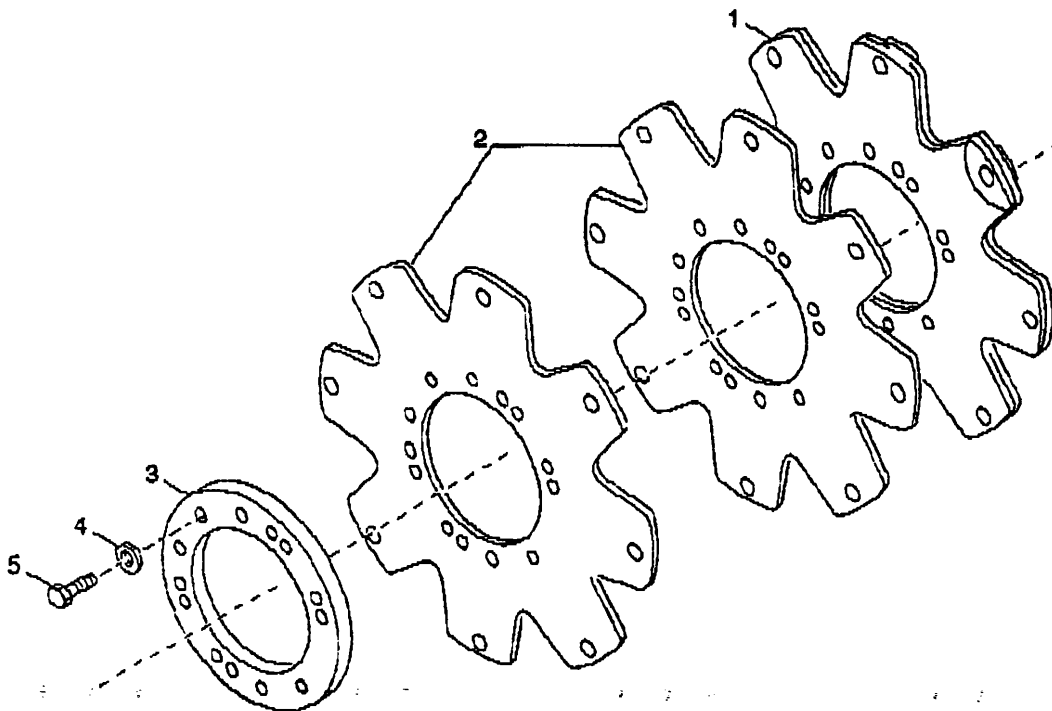
N.S.S. - Not Sold Separately

% - Part stock recommendation

32

T16000

DRIVE PLATE GROUP



CLARK-HURTH
COMPONENTS

Date : 25.04.96

Revised :

CLARK MODEL : 267196

GROUP

T16000

DRIVE PLATE GROUP

<u>Item</u>	<u>Qty</u>	<u>Part N°</u>	<u>%</u>	<u>Description</u>
1	1	802424	D	Drive Plate Assembly Kit - Including Items 2 Thru 5
2	2	N.S.S.		Drive Plate - Including In Item 1
3	1	246615	B	Drive Plate Backing Ring
4	6	4E6		Drive Plate Mounting Screw Lockwasher
5	6	2C610		Drive Plate Mounting Screw

N.S.S. - Not Sold Separately

% - Part Stock Recommendation