

CLARK-HURTH

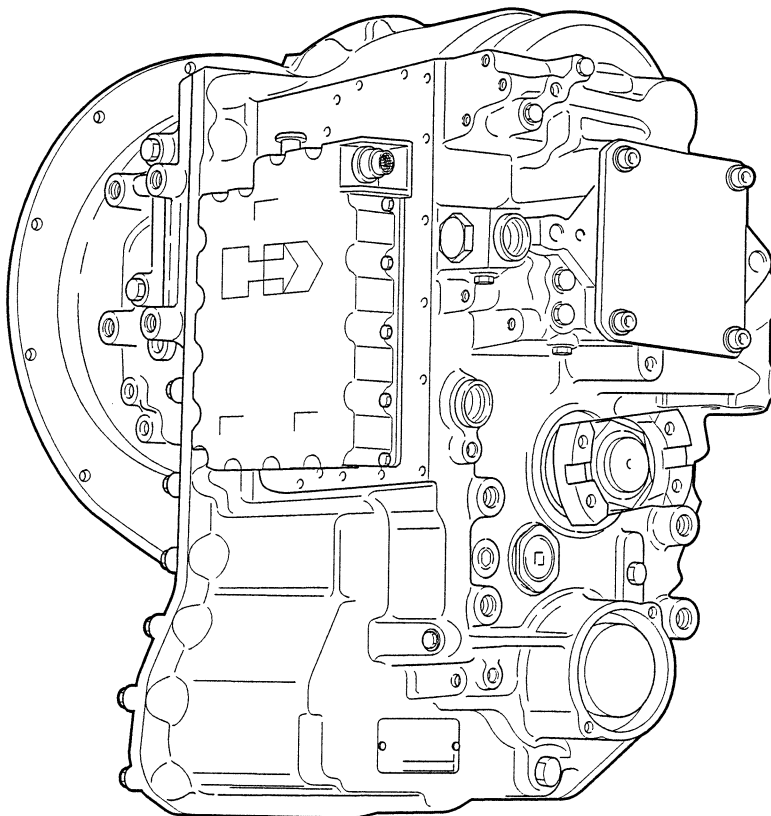
COMPONENTS

MODEL NO. 1117FT16000-11

PART NO. 4261398

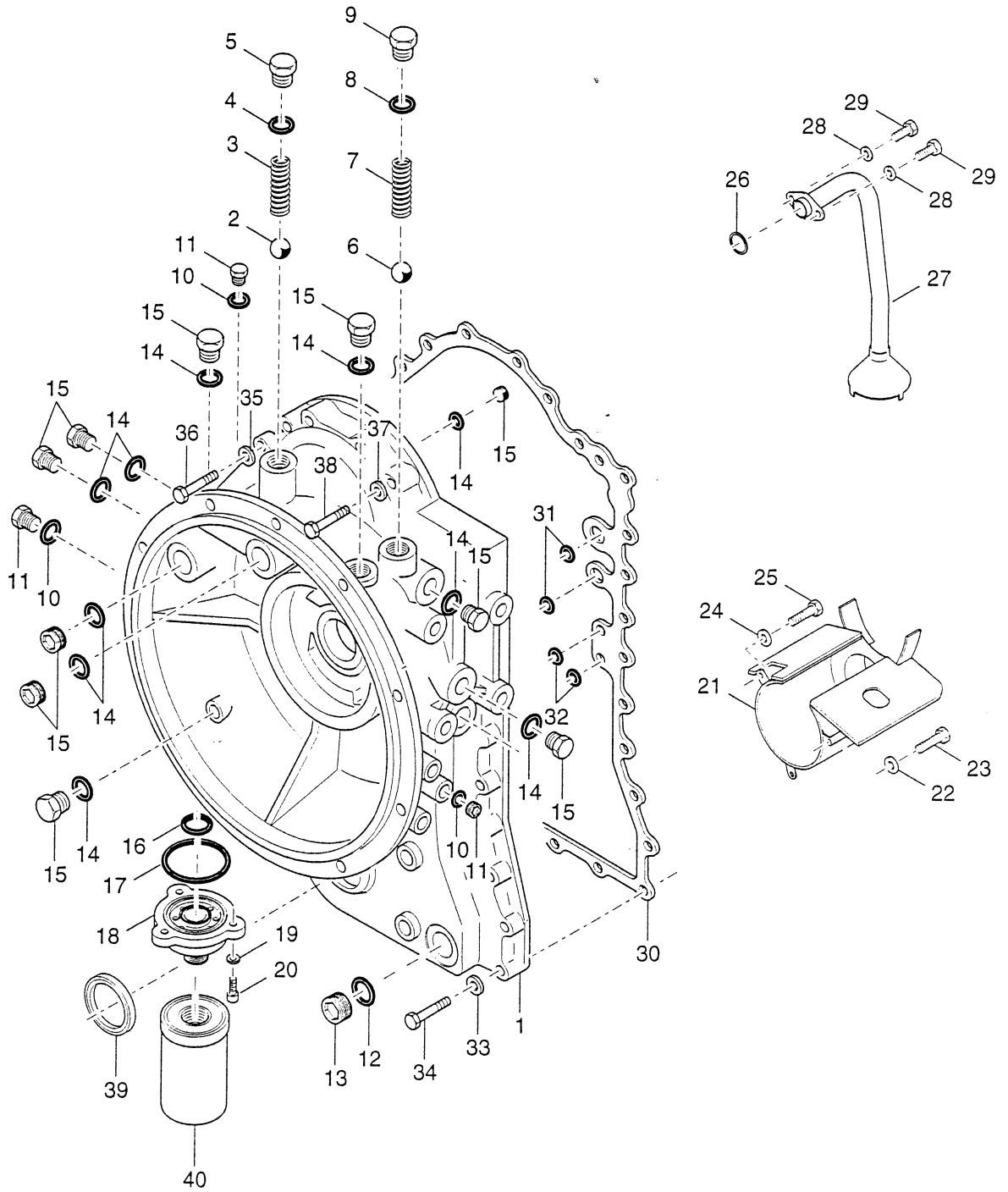
DATE 7-5-98

T16000



T16000

CONVERTER HOUSING GROUP



T16000

CONVERTER HOUSING GROUP

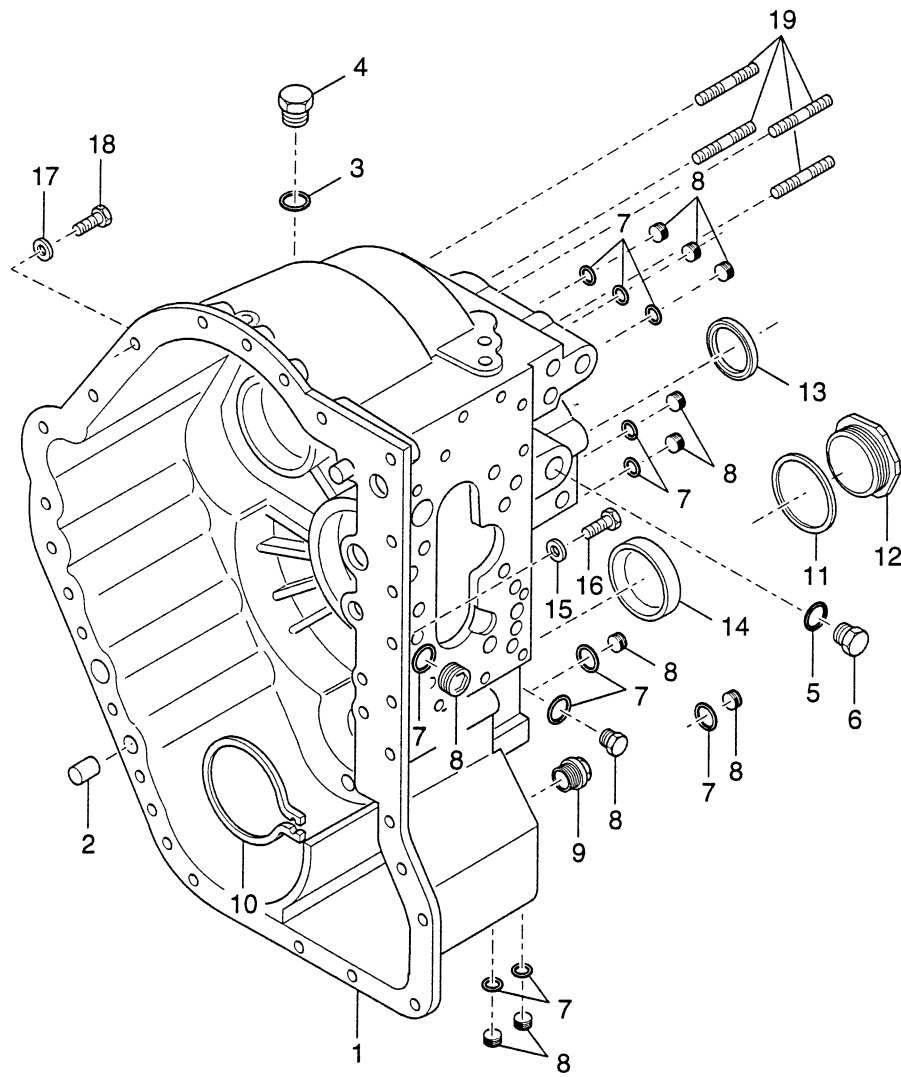
<u>Item</u>	<u>Qty</u>	<u>Part N°</u>	<u>%</u>	<u>Description</u>
1	1	4203970	E	Converter Housing Assembly
2	1	10J24		Ball
3	1	4204243		By-pass Spring
4	1	76K119		Plug "O" Ring - Part Of Item 5
5	1	4204244		Plug - Including Item 4
6	1	19JM250		Ball
7	1	4203857		Safety Valve Spring
8	1	76K123		Plug "O" Ring - Part Of Item 9
9	1	4203848		Plug - Including Item 8
10	3	76K11		Plug "O" Ring - Part Of Item 11
11	3	4203846		Plug - Including Item 10.
12				Not Used On This Model
13				Not Used On This Model
14	10	76K116		Plug "O" Ring - Part Of Item 15
15	10	4203847		Plug - Including Item 14
16	1	4204245	B	Filter Adaptor "O" Ring
17	1	25K030228	B	Filter Adaptor "O" Ring
18	1	4203643		Filter Adaptor
19	3	6EM100		Filter Adaptor Screw Lockwasher
20	3	1GM1025		Filter Adaptor Screw
21	1	4204313		Oil Baffle
22	2	6EM100		Oil Baffle Mounting Screw Lockwasher
23	2	1GM1016		Oil Baffle Mounting Screw
24	1	6EM100		Oil Baffle Mounting Screw Lockwasher
25	1	1CM1016		Oil Baffle Mounting Screw
26	1	76K218	B	Suction Tube "O" Ring
27	1	4204237		Suction Tube Assembly
28	2	6EM100		Suction Tube Mounting Screw Lockwasher
29	2	1GM1016		Suction Tube Mounting Screw
30	1	4203901	B	Converter Housing To Transmission Case Gasket
31	2	60K020026	B	Converter Housing To Transmission Case "O" Ring
32	2	76K13	B	Converter Housing To Transmission Case "O" Ring

<u>Item</u>	<u>Qty</u>	<u>Part N°</u>	<u>%</u>	<u>Description</u>
33	14	6EM100		Converter Hsg. To Transm. Case Screw Lockwasher
34	14	7CM1050		Converter Hsg. To Transm. Case Screw
35	1	6EM100		Converter Hsg. To Transm. Case Screw Lockwasher
36	1	7CM1030		Converter Hsg. To Transm. Case Screw
37	5	6EM100		Converter Hsg. To Transm. Case Screw Lockwasher
38	5	7CM1080		Converter Hsg. To Transm. Case Screw
39	1	4203860	B	Output Shaft Seal (Front)
40	1	4203691	B	Filter Assembly

.% Part stock recommendation

T16000

TRANSMISSION CASE GROUP



T16000

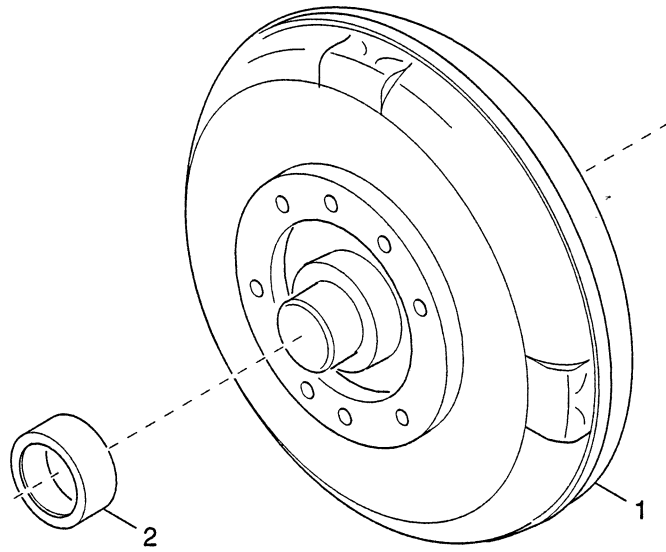
TRANSMISSION CASE GROUP

<u>Item</u>	<u>Qty</u>	<u>Part N°</u>	<u>%</u>	<u>Description</u>
1	1	4204281	E	Transmission Case Assembly
2	2	4203907		Transmission Case To Converter Housing Pin
3	1	76K116		Plug "O" Ring - Part Of Item 4
4	1	4203847		Plug - Including Item 3
5	1	76K210		Plug "O" Ring - Part Of Item 6
6	1	4203849		Plug - Including Item 5
7	11	76K11		Plug "O" Ring - Part Of Item 8
8	11	4203846		Plug - Including Item 7
9	1	4203567		Magnetic Drain Plug
10	1	234229		Output Shaft Rear Bearing Snap Ring
11	1	219373	B	Plug Gasket
12	1	4204249		Plug
13	1	4203860		Output Shaft Seal (Rear)
14	1	4204250		Output Shaft Bore Plug
15	5	6EM100		Converter Hsg. To Transm. Case Screw Lockwasher
16	5	7CM1030		Converter Hsg. To Transm. Case Screw
17	4	6EM100		Converter Hsg. To Transm. Case Screw Lockwasher
18	4	7CM1030		Converter Hsg. To Transm. Case Screw
19	4	4204248		Stud

% - Part Stock Recommendation

T16000

TORQUE CONVERTER GROUP



T16000

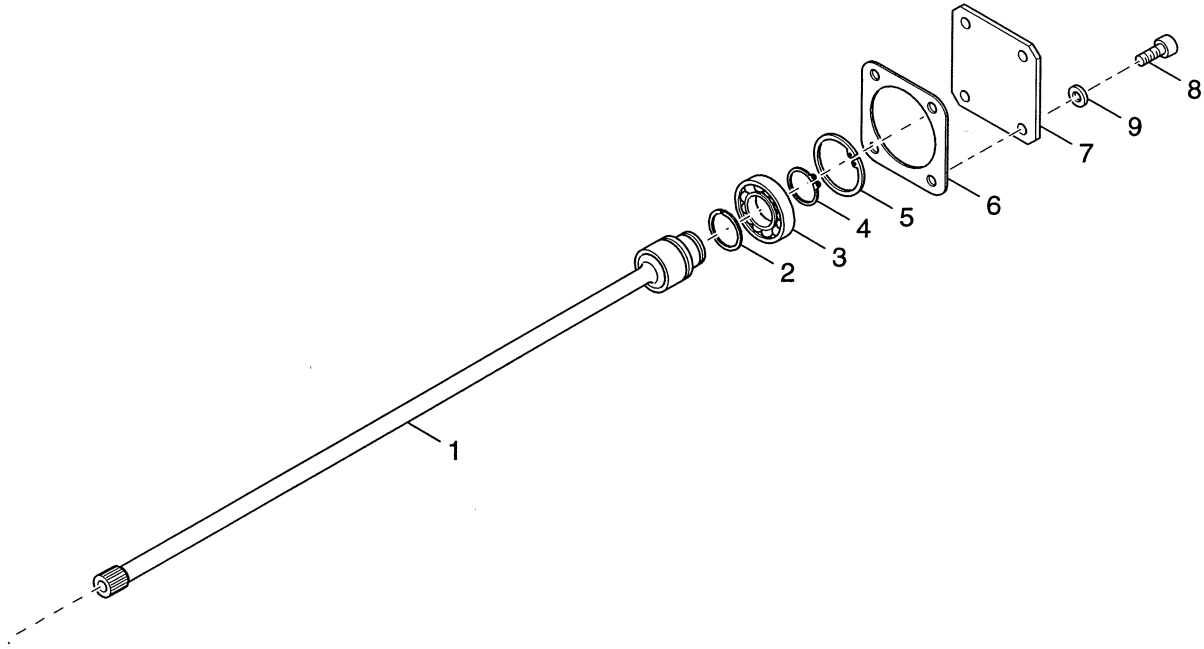
TORQUE CONVERTER GROUP

<u>Item</u>	<u>Qty</u>	<u>Part N°</u>	<u>%</u>	<u>Description</u>
1	1	4205230	E	Torque Converter & Bushing Assembly - Including Item 2
2	1	4203948		Torque Converter Pilot Bushing - Including In Item 1

% - Part Stock Recommendation

T16000

PUMP DRIVE GROUP



T16000

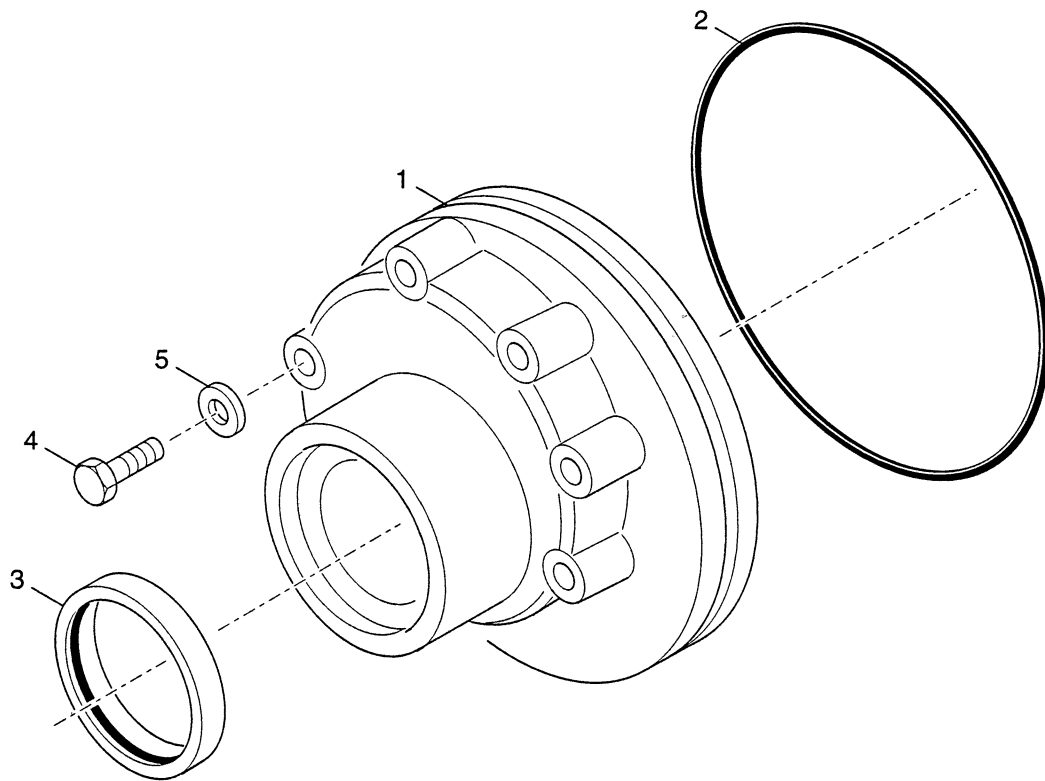
PUMP DRIVE GROUP

<u>Item</u>	<u>Qty</u>	<u>Part N°</u>	<u>%</u>	<u>Description</u>
1	1	4204235	E	Pump Drive Shaft
2	1	4203867	B	Piston Ring
3	1	230829	D	Pump Drive Shaft Bearing
4	1	5JM40		Pump Drive Shaft Bearing Snap Ring
5	1	7JM68		Pump Drive Shaft Bearing Retaining Ring
6	1	4201747	B	Pump Hole Cover Gasket
7	1	216355		Pump Hole Cover
8				Not Used On This Model
9	4	4E8		Pump Hole Cover Stud Nut Lockwasher
10	4	4204273		Pump Hole Cover Spacer Not Illustrated (for shipping)
11	4	62D8		Pump Hole Cover Stud Nut Not Illustrated (for shipping)
12	4	4204280		Aux. Pump Mounting Stud Nut Not Illustrated

% - Part Stock Recommendation

T16000

CHARGING PUMP GROUP



T16000

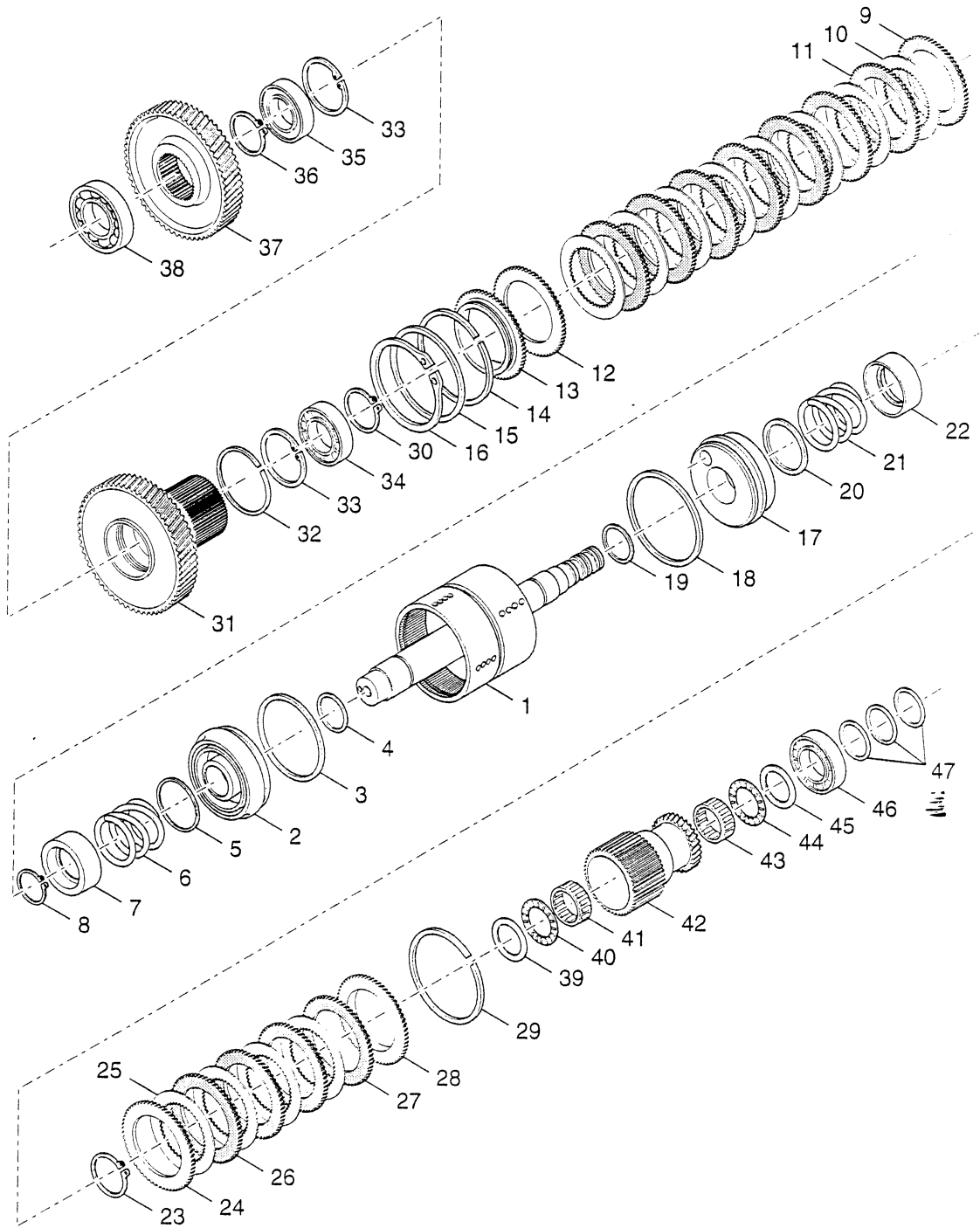
CHARGING PUMP GROUP

<u>Item</u>	<u>Qty</u>	<u>Part N°</u>	<u>%</u>	<u>Description</u>
1	1	4203850	D	Charging Pump Assembly - Including Items 2 And 3
2	1	4203844	B	Charging Pump "O" Ring
3	1	4204279	B	Charging Pump Oil Seal
4	6	1CM855		Charging Pump Mounting Screw
5	6	4203428		Charging Pump Mounting Screw Seal Washer

% - Part Stock Recommendation

T16000

FWD LOW / FWD HIGH SHAFT AND GEARS GROUP



T16000

FWD LOW / FWD HIGH SHAFT AND GEARS GROUP

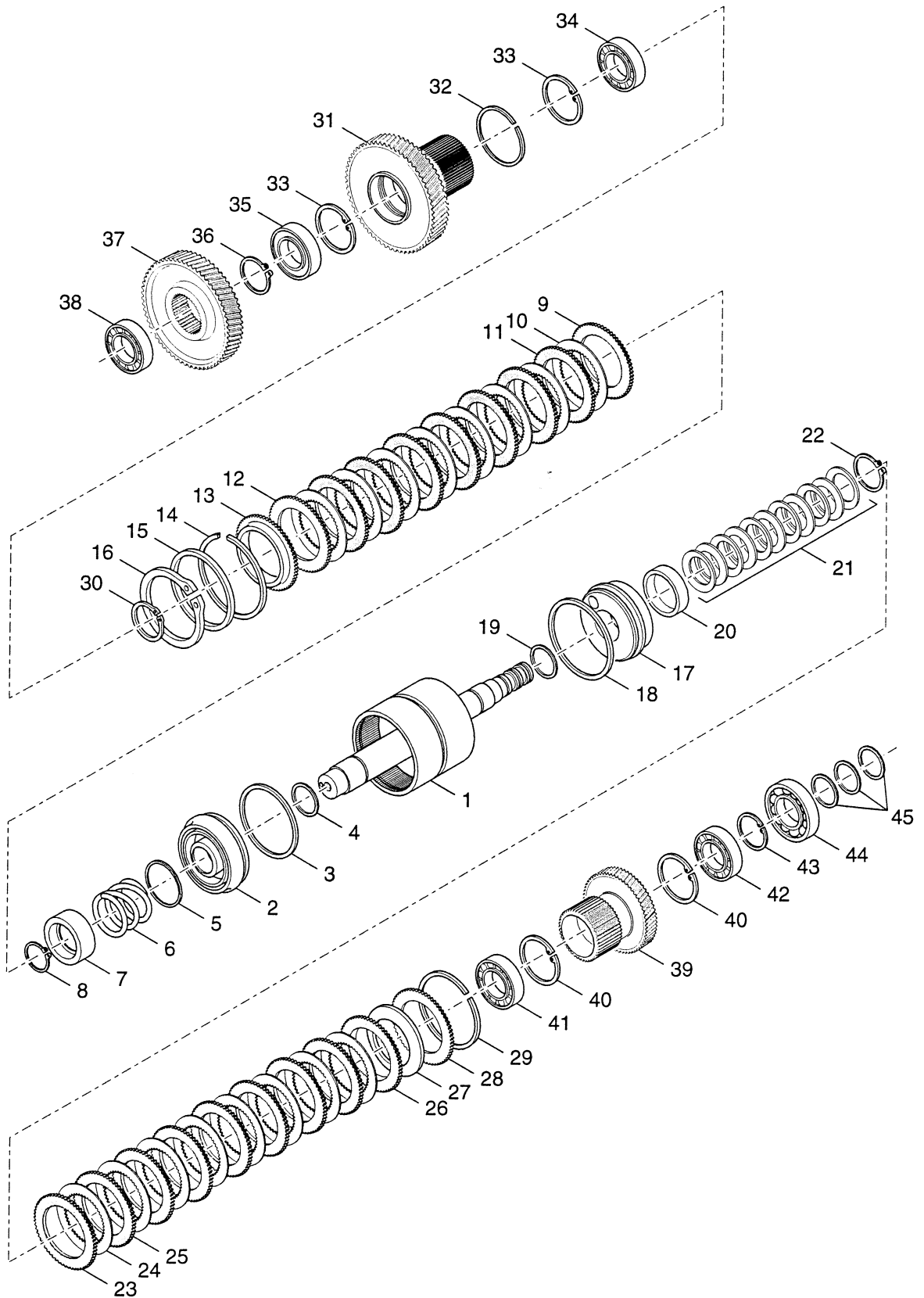
<u>Item</u>	<u>Qty</u>	<u>Part N°</u>	<u>%</u>	<u>Description</u>
1	1	4204295	E	Fwd Low / Fwd High Shaft Drum & Plug Ass'y.
2	1	4203742	C	Clutch Piston & Seals Ass'y. - Incl. Items 3 And 4
3	1	237032	B	Clutch Piston Outer Seal - Incl. In Item 2
4	1	234113	B	Clutch Piston Inner Seal - Incl. In Item 2
5	1	4203876	D	Clutch Piston Wear Plate
6	1	4203878	D	Piston Return Spring
7	1	4203877	D	Spring Retainer
8	1	234350	B	Retainer Snap Ring
9	1	4204265	D	Clutch Outer Half Disc
10	8	4204267	D	Clutch Inner Disc
11	7	4204266	D	Clutch Outer Disc
12	1	4204265		Clutch Outer Half Disc
13	1	4204240	D	Clutch Disc Backing Plate
14	1	234111	C	Clutch Disc Backing Plate Snap Ring
15	1	4204241		Clutch Disc Backing Plate Spacer
16	1	5JM115		Backing Plate Spacer Snap Ring
17	1	4203742		Clutch Piston & Seals Ass'y. - Incl. Items 18 And 19
18	1	237032		Clutch Piston Outer Seal - Incl. In Item 17
19	1	234113		Clutch Piston Inner Seal - Incl. In Item 17
20	1	4203876		Clutch Piston Wear Plate
21	1	4203878		Piston Return Spring
22	1	4203877		Spring Retainer
23	1	234350		Retainer Snap Ring
24	1	4204265		Clutch Outer Half Disc
25	4	4204267		Clutch Inner Disc
26	3	4204266		Clutch Outer Disc
27	1	4204265		Clutch Outer Half Disc
28	1	4204253		Clutch Disc Backing Plate
29	1	234111		Clutch Disc Backing Plate Snap Ring
30	1	5JM50	C	Bearing Snap Ring
31	1	4203987	E	Forward Low Clutch Gear (54T)
32	1	4204255	B	Clutch Gear Piston Ring

<u>Item</u>	<u>Qty</u>	<u>Part N°</u>	<u>%</u>	<u>Description</u>
33	2	7JM80	C	Forward Low Clutch Gear Bearing Locating Ring
34	1	230885	C	Forward Low Clutch Gear Inner Bearing
35	1	4204256	C	Forward Low Clutch Gear Outer Bearing - Shield Out
36	1	5JM50		Bearing Snap Ring
37	1	4203980	E	Forward Driven Gear (42T)
38	1	4204257	C	Fwd Low / Fwd High Shaft Front Bearing
39	1	4203946		Thrust Bearing Spacer
40	1	4203947	C	Forward High Clutch Gear Thrust Bearing
41	1	4203945	C	Forward High Clutch Gear Needle Bearing
42	1	4203985	E	Forward High Clutch Gear (34T)
43	1	4203945		Forward High Clutch Gear Needle Bearing
44	1	4203947		Forward High Clutch Gear Thrust Bearing
45	1	4203946		Thrust Bearing Spacer
46	1	237972	C	Fwd Low / Fwd High Shaft Rear Bearing
47	3	4203872	B	Fwd Low / Fwd High Shaft Piston Ring

% - Part stock recommendation

T16000

REVERSE / 1ST SHAFT AND GEARS GROUP



T16000

REVERSE / 1ST SHAFT AND GEARS GROUP

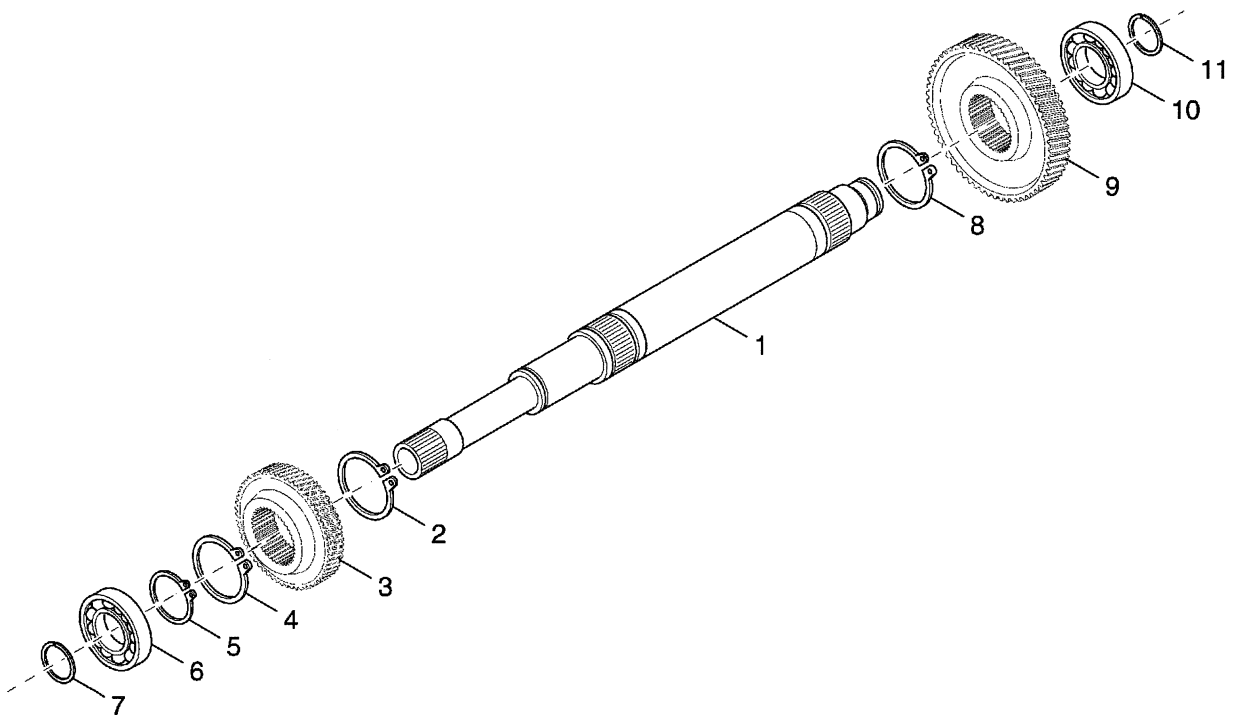
<u>Item</u>	<u>Qty</u>	<u>Part N°</u>	<u>%</u>	<u>Description</u>
1	1	4204298	E	Reverse / 1st Shaft Drum & Plug Ass'y.
2	1	4203742		Clutch Piston & Seals Ass'y. - Incl. Items 3 And 4
3	1	237032		Clutch Piston Outer Seal - Incl. In Item 2
4	1	234113		Clutch Piston Inner Seal - Incl. In Item 2
5	1	4203876		Clutch Piston Wear Plate
6	1	4203878		Piston Return Spring
7	1	4203877		Spring Retainer
8	1	234350		Retainer Snap Ring
9	1	4204265		Clutch Outer Half Disc
10	8	4204267		Clutch Inner Disc
11	7	4204266		Clutch Outer Disc
12	1	4204265		Clutch Outer Half Disc
13	1	4204240		Clutch Disc Backing Plate
14	1	234111		Clutch Disc Backing Plate Snap Ring
15	1	4204241		Clutch Disc Backing Plate Spacer
16	1	5JM115		Backing Plate Spacer Snap Ring
17	1	4203742		Clutch Piston & Seals Ass'y. - Incl. Items 18 And 19
18	1	237032		Clutch Piston Outer Seal - Incl. In Item 17
19	1	234113		Clutch Piston Inner Seal - Incl. In Item 17
20	1	4204300		Clutch Piston Wear Plate
21	1	4203887		Piston Return Spring (Belleville Washer)
22	1	234350		Snap Ring
23	1	4204265		Clutch Outer Half Disc
24	8	4204267		Clutch Inner Disc
25	7	4204266		Clutch Outer Disc
26	1	4204265		Clutch Outer Half Disc
27	1	4203880	D	Modulation Spring
28	1	4204253		Clutch Disc Backing Plate
29	1	234111		Clutch Disc Backing Plate Snap Ring
30	1	5JM50		Bearing Snap Ring
31	1	4203987		Reverse Clutch Gear (54T)
32	1	4204255		Clutch Gear Piston Ring

<u>Item</u>	<u>Qty</u>	<u>Part N°</u>	<u>%</u>	<u>Description</u>
33	2	7JM80		Reverse Clutch Gear Locating Ring
34	1	230885		Reverse Clutch Gear Inner Bearing
35	1	4204256		Reverse Clutch Gear Outer Bearing - Shield Out
36	1	5JM50		Bearing Snap Ring
37	1	4203981	E	Reverse Driven Gear (50T)
38	1	4204257		Reverse / 1st Shaft Front Bearing
39	1	4203986	E	1st Clutch Gear (30T)
40	2	7JM75	C	1st Clutch Gear Bearing Locating Ring
41	1	230860	C	1st Clutch Gear Inner Bearing
42	1	233390	C	1st Clutch Gear Outer Bearing - Shield Out
43	1	5JM45	C	Bearing Snap Ring
44	1	501.0118	C	Reverse / 1st Shaft Rear Bearing.
45	3	4203872		Reverse / 1st Shaft Piston Ring

% - Part Stock Recommendation

T16000

INPUT SHAFT GROUP



Date : 18-JAN-07
Revised : A
MODEL : 4500695

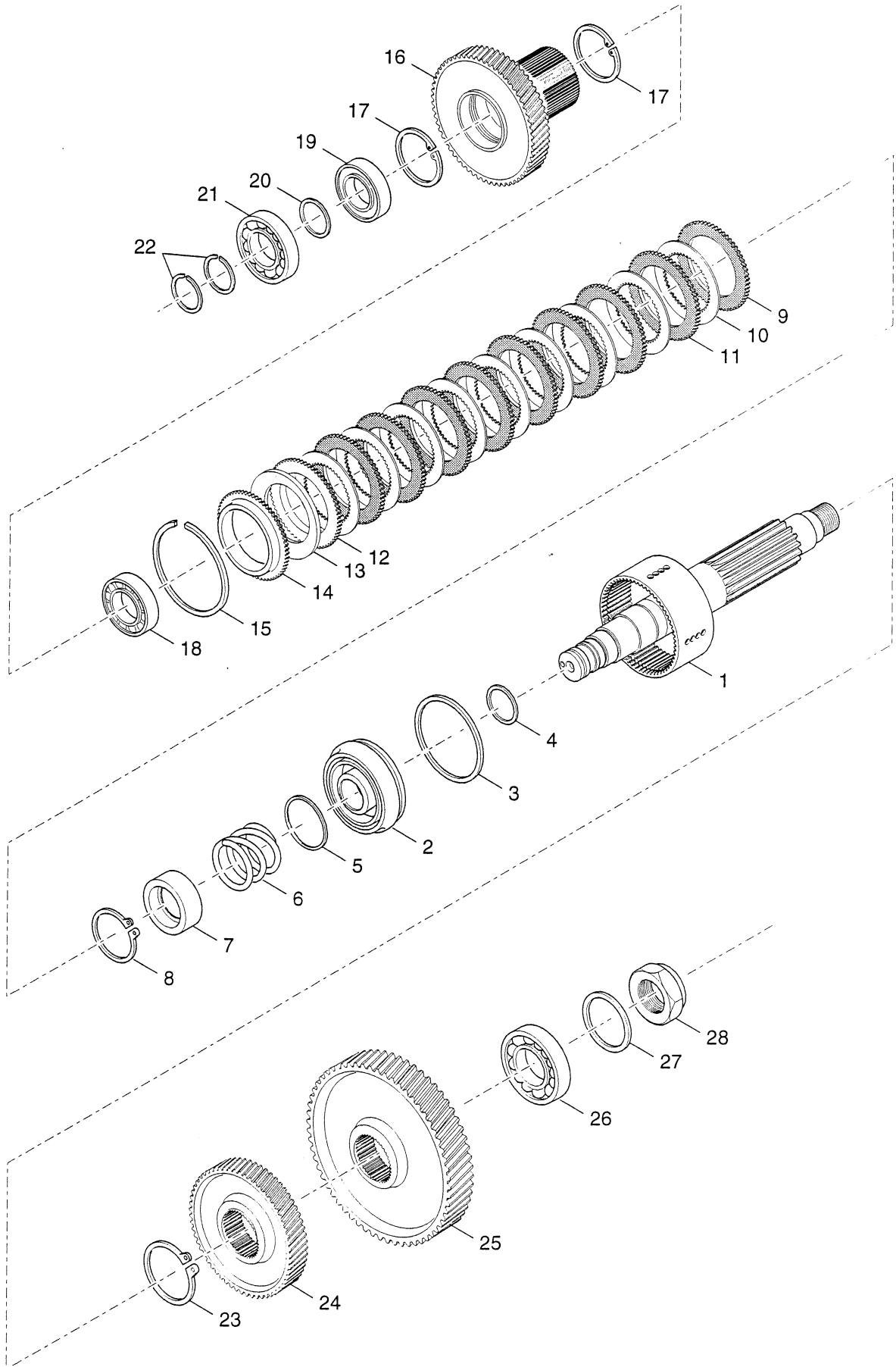
T16000
GROUP-INPUT SHAFT

<u>Item</u>	<u>Qty</u>	<u>Part Number</u>	<u>%</u>	<u>Description</u>
1	1	4211941	E	SHAFT TURBINE
2	1	4204251	D	SNAP RING
3	1	4203978	E	GEAR FWD LOW 26T
4	1	5JM50	C	SNAP RING
5	1	5JM40	D	SNAP RING
6	1	4204314	D	BEARING
7	1	4203872	B	RING-PISTON
8	1	5JM50	C	SNAP RING
9	1	4203977	E	GEAR 62T
10	1	4204314	D	BEARING
11	1	4203872	B	RING-PISTON

N.S.S. - Not Sold Separately
N.I. - Not Illustrated
% - Part Stock Recommendation

T16000

2ND SHAFT GROUP



T16000

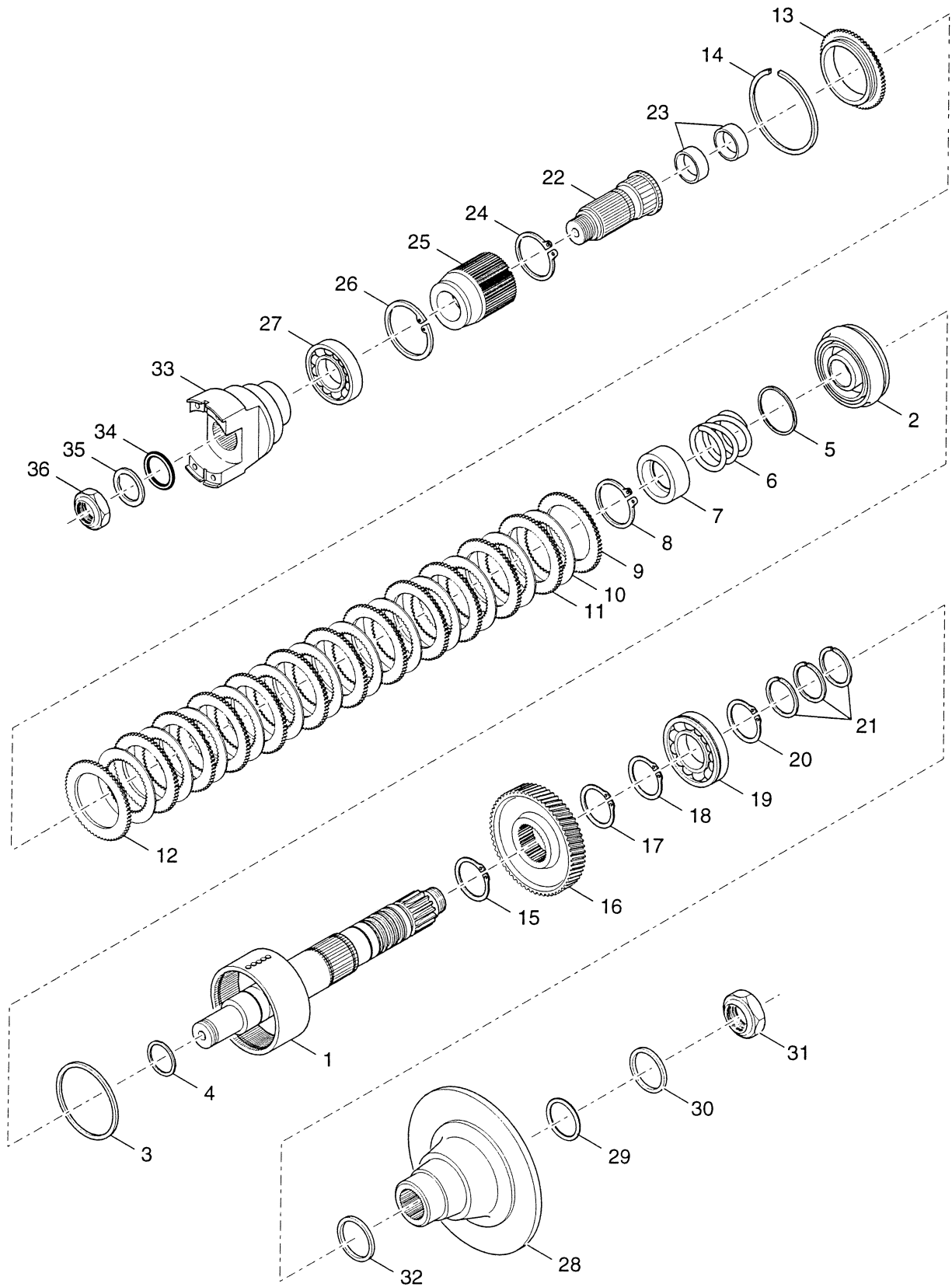
2ND SHAFT GROUP

<u>Item</u>	<u>Qty</u>	<u>Part N°</u>	<u>%</u>	<u>Description</u>
1	1	4204309		2nd Shaft,Hub, Drum And Plug Assembly
2	1	4203742		Clutch Piston & Seals Ass'y. - Incl. Items 3 And 4
3	1	237032		Clutch Piston Outer Seal - Incl. In Item 2
4	1	234113		Clutch Piston Inner Seal - Incl. In Item 2
5	1	4203876		Clutch Piston Wear Plate
6	1	4203878		Piston Return Spring
7	1	4203877		Spring Retainer
8	1	234350		Retainer Snap Ring
9	1	4204265		Clutch Outer half Disc
10	8	4204267		Clutch Inner Disc
11	7	4204266		Clutch Outer Disc
12	1	4204265		Clutch Outer Half Disc
13	1	4203880		Modulation Spring
14	1	4204253		Clutch Disc Backing Plate
15	1	234111		Clutch Disc Backing Plate Snap Ring
16	1	4203984		2nd Clutch Gear (52T)
17	2	7JM75		2nd Clutch Gear Bearing Locating Ring
18	1	230860		2nd Clutch Gear Inner Bearing
19	1	233390		2nd Clutch Gear Outer Bearing - Shield Out
20	1	4203899		Bearing Support Washer
21	1	501.0118		2nd Shaft Front Bearing
22	2	4203872		2nd Shaft Piston Ring
23	1	249936	C	Gear Retainer Snap Ring
24	1	4203979	E	Lower Output Drive Gear (41T)
25	1	4203982	E	Upper Output Gear (59T)
26	1	4204258	C	2nd Shaft Rear Bearing
27	1	231916		Output Flange Washer
28	1	215634	C	Output Flange Nut

% - Part Stock Recommendation

T16000

OUTPUT SHAFT WITH INTERNAL DISCONNECT GROUP



T16000

OUTPUT SHAFT WITH INTERNAL DISCONNECT GROUP

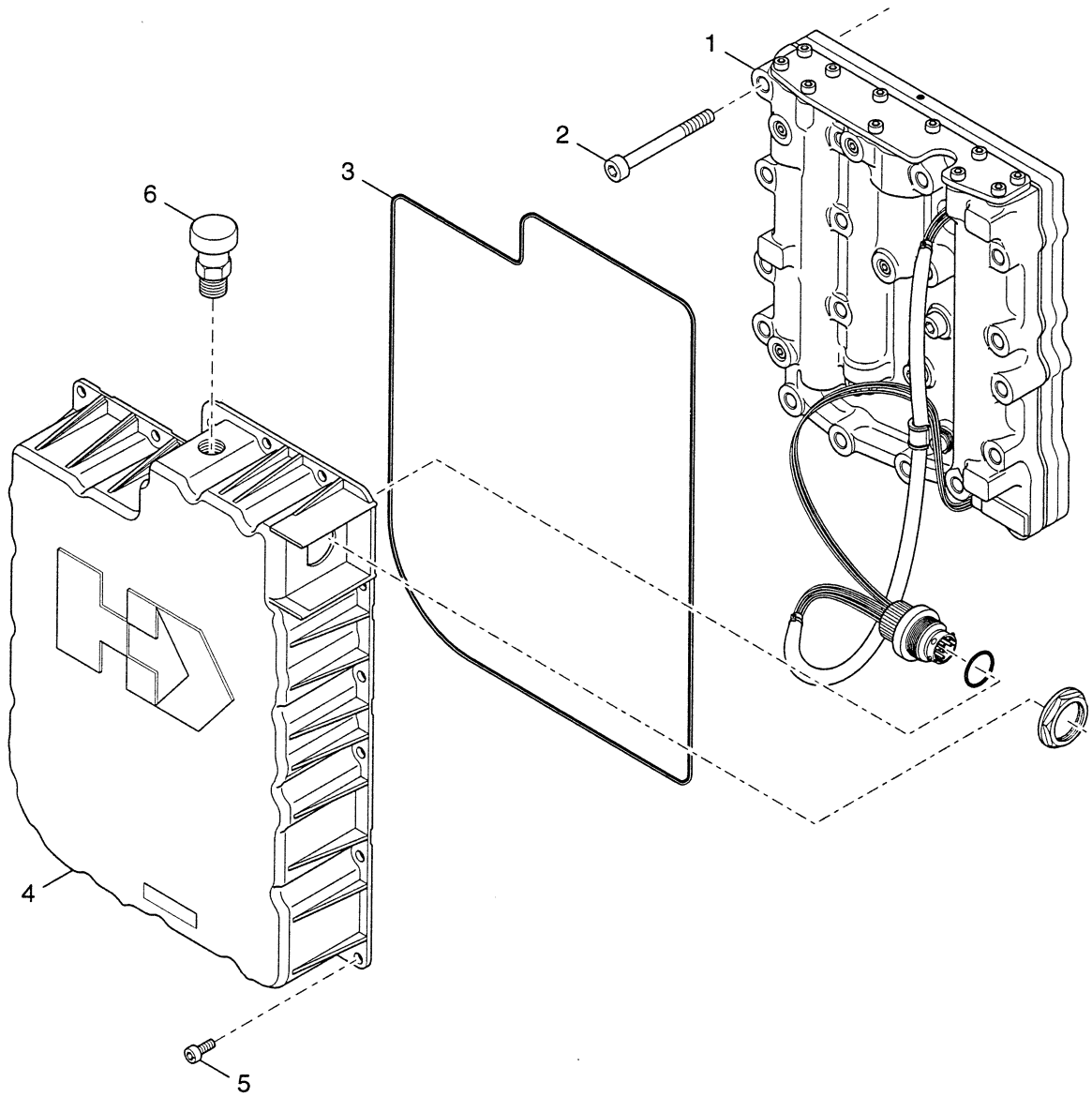
<u>Item</u>	<u>Qty</u>	<u>Part N°</u>	<u>%</u>	<u>Description</u>
1	1	4204293	E	Rear Output Shaft Drum & Plug Assembly
2	1	4203742		Clutch Piston & Seals Ass'y. - Incl. Items 3 And 4
3	1	237032		Clutch Piston Outer Seal - Incl. In Item 2
4	1	234113		Clutch Piston Inner Seal - Incl. In Item 2
5	1	4203876		Clutch Piston Wear Plate
6	1	4203878		Piston Return Spring
7	1	4203877		Spring Retainer
8	1	234350		Retainer Snap Ring
9	1	4204265		Clutch Outer Half Disc
10	12	4204267		Clutch Inner Disc
11	11	4204266		Clutch Outer Disc
12	1	4204265		Clutch Outer Half Disc
13	1	4204253		Clutch Disc Backing Plate
14	1	234111		Clutch Disc Backing Plate Snap Ring
15	1	5JM65	C	Gear Retainer Snap Ring
16	1	4203983		Lower Output Gear (39T)
17	1	5JM65		Gear Retainer Ring
18	1	5JM60		Gear Retainer Ring
19	1	4204260		Output Shaft Rear Bearing
20	1	5JM60		Output Shaft Rear Bearing Snap Ring
21	3	4203898		Output Shaft Piston Ring
22	1	4204261	E	Front Output Shaft Assembly - Incl. Item 24
23	2	4203903	C	Output Shaft Bushing - Incl. In Item 23
24	1	249936		Gear Retainer Snap Ring
25	1	4203988		Disconnect Hub
26	1	7JM100	C	Retainer Ring
27	1	225874	C	Output Shaft Front Bearing
28	1	4203851	E	Rear Output Flange (Yoke 1410 W/Brake)
29	1	25K60128	B	Output Flange "O" Ring
30	1	231916		Output Flange Washer
31	1	215634		Output Flange Nut
32	1	4204282		Output Flange Spacer

<u>Item</u>	<u>Qty</u>	<u>Part N°</u>	<u>%</u>	<u>Description</u>
33	1	4203852	E	Front Output Flange (Yoke 1410 W/O Brake)
34	1	25K60128		Output Flange "O" Ring
35	1	231916		Output Flange Washer
36	1	215634		Output Flange Nut

% - Part stock recommendation

T16000

CONTROL VALVE MOUNTING GROUP





T16000

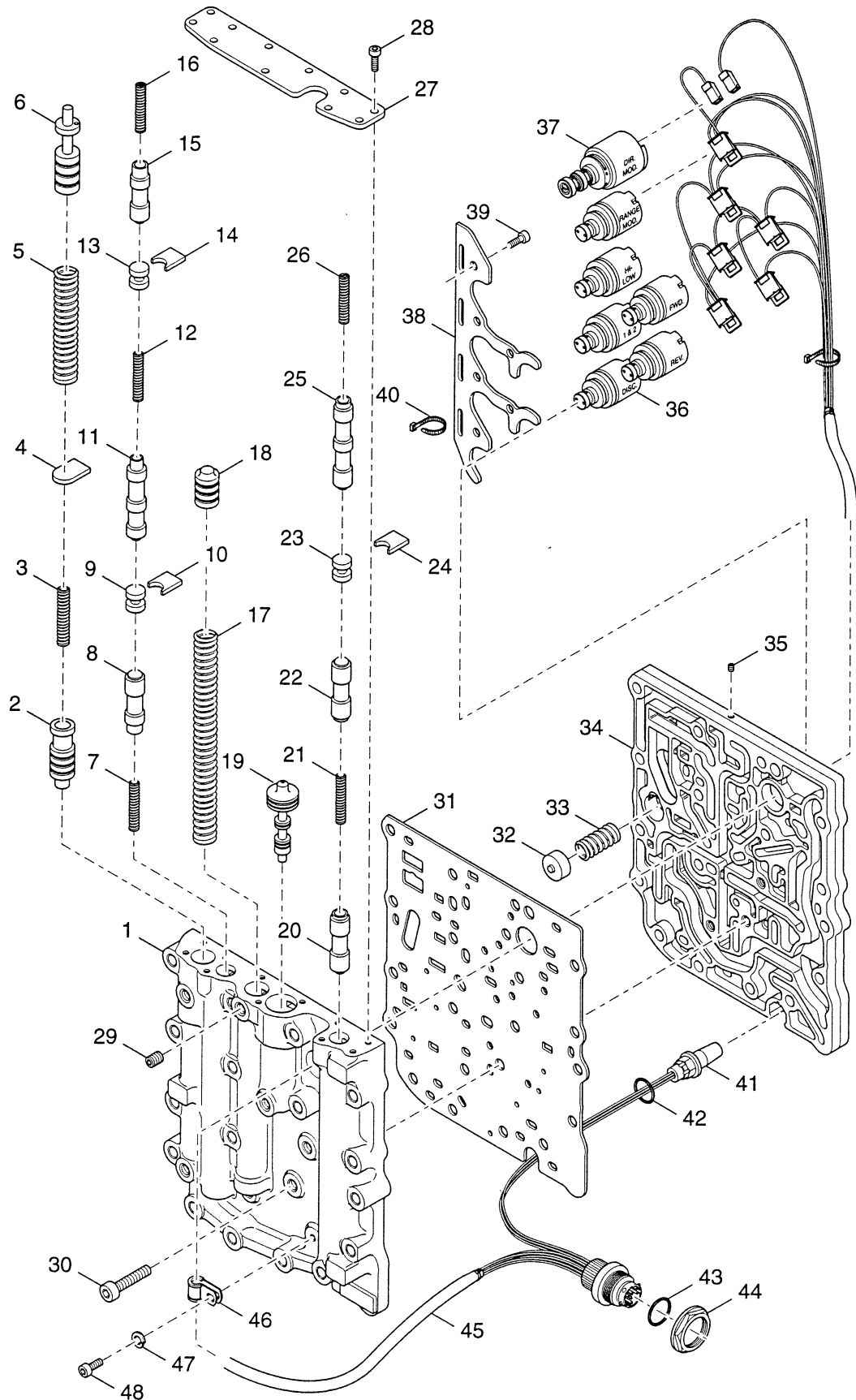
CONTROL VALVE MOUNTING GROUP

<u>Item</u>	<u>Qty</u>	<u>Part Number</u>	<u>%</u>	<u>Description</u>
1	1	4205806	E	Control Valve Assembly
2	17	1GM865		Control Valve Mounting Screw
3	1	4203922	B	Control Valve Protection Cover Seal
4	1	4204264		Control Valve Protection Cover Assembly – Incl. Item 6
5	20	1GM612		Protection Cover Screw
6	1	238535	D	Air Breather – Part Of Item 4

N.S.S. – Not Sold Separately
% - Part Stock Recommendation

T16000

CONTROL VALVE ASSEMBLY





T16000

CONTROL VALVE ASSEMBLY

<u>Item</u>	<u>Qty</u>	<u>Part Number</u>	<u>%</u>	<u>Description</u>
1	1	N.S.S.		Spool Body
2	1	N.S.S.		Pressure Reducer Spool
3	1	N.S.S.		Pressure Reducer Spring
4	1	N.S.S.		Separator Plate
5	1	N.S.S.		Pressure Regulator Spring
6	1	N.S.S.		Pressure Regulator Spool
7	1	N.S.S.		Pilot Spool Spring
8	1	N.S.S.		Disconnect Spool
9	1	N.S.S.		Spool Stop
10	1	N.S.S.		Separator Plate
11	1	N.S.S.		1 st / 2 nd Spool
12	1	N.S.S.		Pilot Spool Spring
13	1	N.S.S.		Spool Stop
14	1	N.S.S.		Separator Plate
15	1	N.S.S.		Range Modulation Spool
16	1	N.S.S.		Pilot Spool Spring
17	1	N.S.S.		Accumulator Spring
18	1	N.S.S.		Accumulator Spool
19	1	N.S.S.		Booster Spool
20	1	N.S.S.		Reverse Spool
21	1	N.S.S.		Pilot Spool Spring
22	1	N.S.S.		Forward Spool
23	1	N.S.S.		Spool Stop
24	1	N.S.S.		Separator Plate
25	1	N.S.S.		Fwd. Low / Fwd. High. Spool
26	1	N.S.S.		Pilot Spool Spring
27	1	N.S.S.		Spool Cover
28	11	1GM512		Spool Cover Screw

N.S.S. – Not Sold Separately

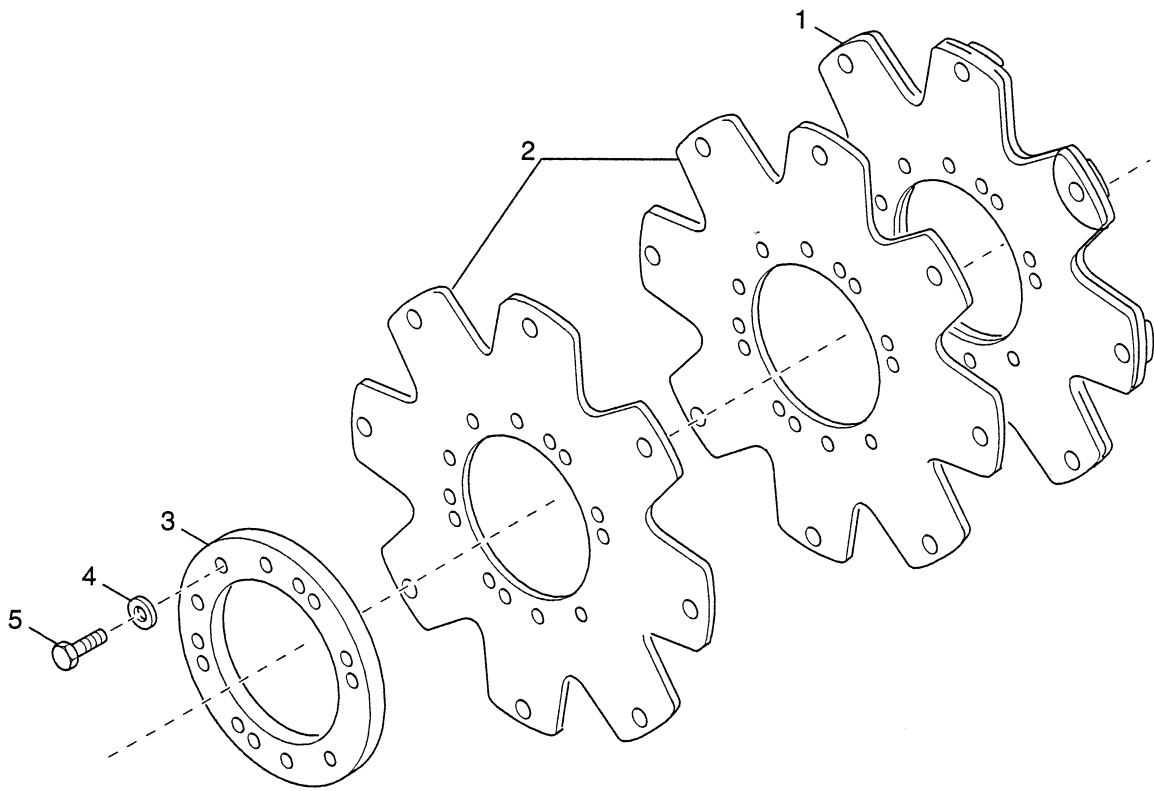
% - Part Stock Recommendation



<u>Item</u>	<u>Qty</u>	<u>Part Number</u>	<u>%</u>	<u>Description</u>
29	2	239244		Check Port Plugs
30	3	1GM830		Spool Body To Solenoid Plate Screw
31	1	N.S.S.		Spacer Plate
32	1	4203943		Bypass Valve Spool
33	1	4203944		Bypass Valve Spring
34	1	N.S.S.		Solenoid Plate
35	6	4203975		Plug
36	6	4203147		Solenoid
37	1	4203146		Electronic Controlled Modulation Valve
38	1	N.S.S.		Solenoid Clamp
39	6	1GM512		Solenoid Clamp Screw
40	6	4202198		Wiring Strap
41	1	4205804		Speed Sensor
42	1	60K30022	B	Speed Sensor "O" Ring
43	1	60K40030	B	Jam Nut "O" Ring
44	1	N.S.S.		Jam Nut
45	1	4205805		Wiring Harness, "O" Rings, Jam Nut And Speed Sensor Ass'y. Incl. Items 41, 42, 43 And 44
46	1	4203974		Wiring Clamp
47	1	1EM50		Clamp Screw LockWasher
48	1	1GM510		Clamp Screw
49	1	4205806		Control Valve Assembly – Including Items 1 Thru 48

T16000

DRIVE PLATE GROUP





SPICER OFF-HIGHWAY

Date: 11.10.99

Revised :

MODEL : 4501657

GROUP

T16000

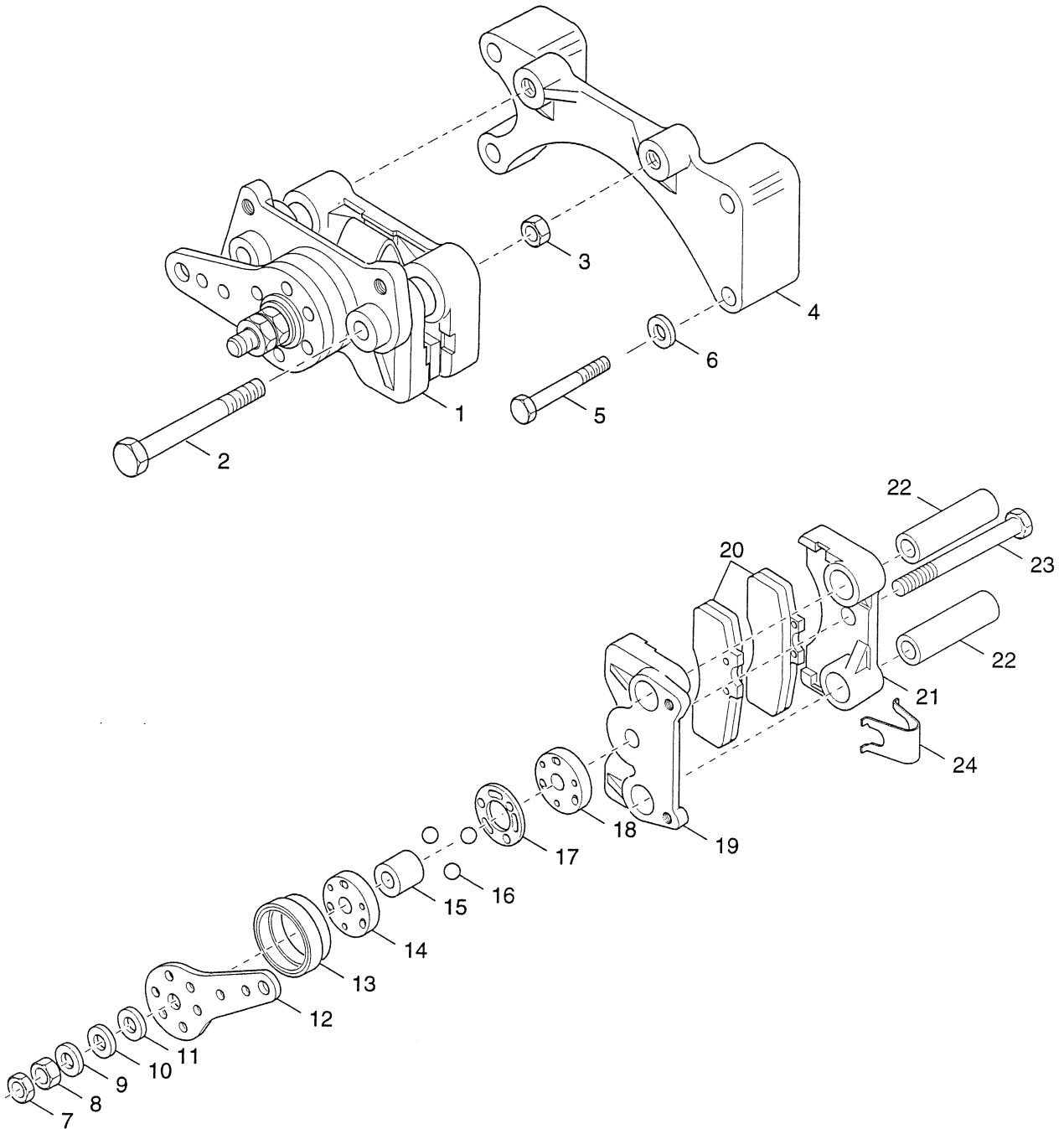
DRIVE PLATE GROUP

<u>Item</u>	<u>Qty</u>	<u>Part N°</u>	<u>%</u>	<u>Description</u>
1	1	N.S.S.	D	Drive Plate Assembly – Including In Item 6
2	2	N.S.S.		Drive Plate – Including In Item 6
3	1	246615	B	Drive Plate Backing Ring
4	6	4E6		Drive Plate Mounting Screw Lockwasher
5	6	2C608		Drive Plate Mounting Screw
6	1	814987	D	Drive Plate Assembly Kit – Including Item 1 Thru 5

N.S.S. – Not Sold Separately
% - Part Stock Recommendation

T16000

PARKING BRAKE GROUP



T16000

PARKING BRAKE GROUP

<u>Item</u>	<u>Qty</u>	<u>Part N°</u>	<u>%</u>	<u>Description</u>
1	1	4203421	E	Parking Brake Assembly - Incl. Items 7 Thru 24
2	2	17C872		Parking Brake Mounting Screw
3	2	63D8		Parking Brake Mounting Screw Nut
4	1	4204315		Brake Mounting Plate
5	4	7CM1670		Brake Mounting Plate Screw
6	4	8EM160		Brake Mounting Plate Screw Lockwasher
7	1	4203438	D	Jam Adjusting Nut
8	1	4203437		Adjustment Nut
9	1	4203436		Hardened Washer
10	1	4203435		Stainless Steel Washer
11	1	N.S.S.		Trust Washer - See Item 26
12	1	4203434	E	Lever
13	1	N.S.S.		Boot - See Item 26
14	1	4203431	D	Cam
15	1	N.S.S.		Id Seal - See Item 26
16	3	4203433		Ball
17	1	4203432	D	Plastic Retainer
18	1	4203431		Cam
19	1	N.S.S.		Front Torque Plate - Part Of Item 1
20	2	N.S.S.		Carrier And Lining Assembly - See Item 25 Or 26
21	1	N.S.S.		Rear Torque Plate - Part Of Item 1
22	2	4203429		Mounting Sleeve
23	1	4203430	D	Adjusting Bolt
24	1	N.S.S.		Spring - See Item 25 Or 26
25	1	4203440	C	Brake Assembly Lining Kit - Incl. Items 20 And 24
26	1	4203439	D	Hardware Parts Kit - Incl. Items 11,13,15, And 25

N.S.S. - Not Sold Separately

% - Part Stock Recommendation



Part Stocking Recommendation

The table below is a minimum spare parts inventory recommendation designated by letter code in each Service Parts List. Each letter code indicates a percentage for determining stock quantities to support the field population. Any quantity less than 1 or partial quantities need not be stocked.

Letter Code	Percentage	Example
A	15%	Part quantity = 10 per unit Field Population = 240 units Recommended stock = 240 units x 10 per unit x .15 = 360 parts
B	10%	Part quantity = 4 per unit Field Population = 66 units Recommended stock = 66 units x 4 per unit x .10 = 26.4 or 26 parts
C	6%	Part quantity = 2 per unit Field Population = 203 units Recommended stock = 203 units x 2 per unit x .06 = 24.4 or 24 parts
D	4%	Part quantity = AR* Field Population = 42 units Recommended stock = 42 units x 3 per unit x .04 = 5.04 or 5 parts
E	2%	Part quantity = 1 per unit Field Population = 75 units Recommended stock = 75 units x 1 per unit x .02 = 1.5 or 1 part
*Part quantities denoted by "AR" (as required) should be ordered by a quantity of 3 per unit.		

© Copyright 2013 Dana Holding Corporation
All content is subject to copyright by Dana and may not be reproduced in whole or in part by any means, electronic or otherwise, without prior written approval.
THIS INFORMATION IS NOT INTENDED FOR SALE OR RESALE, AND THIS NOTICE MUST REMAIN ON ALL COPIES.

For product inquiries or support,
visit www.dana.com or call 419-887-6445
For other service publications,
visit www.SpicerParts.com/literature.asp
For online service parts ordering,
visit www.SpicerParts.com/order.asp



SPICER®

Off-Highway Products